



Since 1983



## BOR FUSES (TAIWAN) CORP.

📍 3rd Fl., 108 Lite St., Chungho District, New Taipei City, Taiwan

☎ 886-2-2223-8500

📠 886-2-2223-5708

🌐 [www.che-yen.com.tw](http://www.che-yen.com.tw)

✉ [borfuse@che-yen.com.tw](mailto:borfuse@che-yen.com.tw)    [borfuse@ms29.hinet.net](mailto:borfuse@ms29.hinet.net)

IATF-16949, ISO-9001  
Professional Fuse Manufacturer





2025 CATALOG



# Circuit Protection

Fuses & Accessories



EXCELLENCE IN SERVICE  
— SINCE 1983 —



IATF-16949, ISO-9001  
Professional Fuse Manufacturer

**BOR FUSES (TAIWAN) CORP.**



# Index

## BRIEF INTRODUCTION OF CIRCUIT BREAKER CHARACTERISTIC

BOR circuit breakers are manufactured and tested in accordance with SAE recommended practice J553 and J1625.

SAE J553 defines testing and performance requirements for circuit breakers up to 50A. For 6V, 12V and 24V operation. It defines the three types of reset: Type I, Type II and Type III.

SAE J1625 defines testing and performance requirements for circuit breakers up to 200A for 6V-48V operation. It defines the three types of reset: Type I and Type III.

### **Type I – Automatic Reset**

Circuit breaker automatically resets after opening. If the fault still exists, the breaker will continue to cycle between ON and OFF positions until the overload is corrected. These devices are sometimes called “cycling breakers”.

### **Type II – Modified Reset**

The circuit breaker will remain tripped (in the OFF position) as long as there power to the circuit, due to an internal resistor. Type II breakers can be reset by turning off the circuit, or by turning off the ignition witch. These devices are sometimes called “non-cycling breakers”.

### **Type III – Manual Reset**

The circuit breaker will remain tripped (in the OFF position) until an indicator button or lever is manually reset. Type III breakers are also available with a switchable feature, which allows you to use an external button to disable the circuit.



<b>AUTOMOTIVE FUSE- BLADE TYPE</b>	01 - 08	<b>P.C.B. FUSE BLOCK</b>	43
<b>AUTOMOTIVE FUSE- GLASS TUBE TYPE</b>	09 - 11	<b>IN LINE FUSE HOLDER FOR GLASS TUBE FUSES</b>	44 - 47
<b>FUSE LINK- JAPANESE CAR FUSES</b>	12 - 17	<b>IN LINE FUSE HOLDER FOR BLADE TERMINAL FUSES</b>	48 - 53
<b>AUTOMOTIVE FUSE ASSORMENT KIT</b>	18 - 19	<b>UNIVERSAL FUSE HOLDER</b>	54
<b>BOLT-ON FUSE STRIPS WITH HOUSING</b>	20 - 22	<b>AUTOMOTIVE FUSE HOLDER PACKING TYPE</b>	55
<b>FUSE PULLER &amp; TESTER</b>	23	<b>ATY-N PANEL FUSE BLOCK</b>	56
<b>AUTOMOTIVE CIRCUIT BREAKER</b>	24 - 34	<b>ATY-N PANEL FUSE BLOCK WITH GROUNDING PAD</b>	57 - 59
<b>HIGH-AMP CIRCUIT BREAKER</b>	35 - 38	<b>QUICK TERMINAL TYPE BLADE FUSE BLOCK</b>	60 - 61
<b>ELECTRONIC FUSE</b>	39 - 40	<b>AUTOMOTIVE FUSE BOX</b>	62 - 64
<b>P.C.B. FUSE CLIP</b>	41	<b>RELAY &amp; HOUSING CONNECTOR WIRE</b>	65
<b>P.C.B. FUSE BLOCK &amp; PANEL MOUNT FUSE HOLDER</b>	42	<b>BOLT-ON FUSE HOLDER</b>	66

# AUTOMOTIVE FUSE- BLADE TYPE

## A-1 BLADE AUTO FUSE BY U.L. LISTED

RoHS

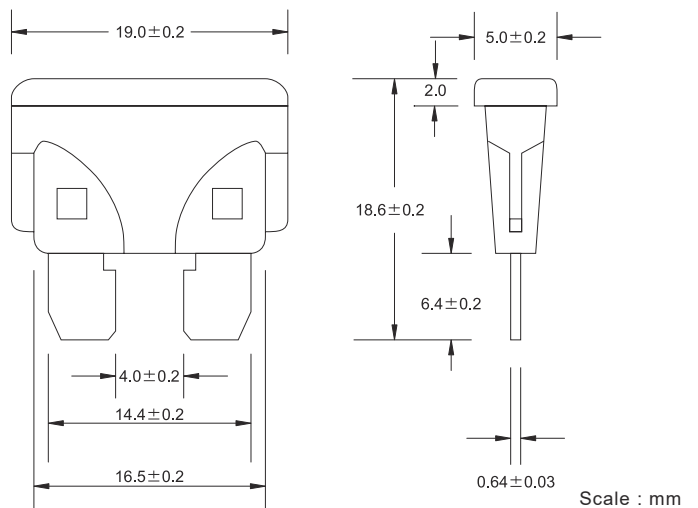
### Part No. : ATY-N/UL series

- Fast Acting, Low Voltage For UP To 32V DC.
- Material : \* Body : Plastic.  
\* Metal : Zinc Alloy. with Tin Plating.
- Standard : SAE J1284.
- Circuit Protection To Replace Fusible Wire Or Fusible Link.
- Fuses Are Color-Coded For Easy Amperage Identification.
- Approval: Listed by UL Certified.



### Ordering Information

Part Number	Ampere (A)	Voltage (VDC)	Body Color
ATY-N / UL 3	3A	32 V	Violet
ATY-N / UL 4	4A	32 V	Pink
ATY-N / UL 5	5A	32 V	Tan
ATY-N / UL 7.5	7.5 A	32 V	Brown
ATY-N / UL 10	10 A	32 V	Red
ATY-N / UL 15	15 A	32 V	Blue
ATY-N / UL 20	20 A	32 V	Yellow
ATY-N / UL 25	25 A	32 V	Natural
ATY-N / UL 30	30 A	32 V	Green



### Specifications :

Opening Time / Pre-arcing Time :

In	1.1 In	1.35 In		2.0 In		3.5 In		6.0 In	
3-30 A	>100 Hours	Min.	Max.	Min.	Max.	Min.	Max.	Min.	Max.
		0.75 s	1800 s	0.15 s	5 s	0.04 s	0.5 s	0.02 s	0.1 s

Interruption Rating : 1000 Amperes @ 32V DC

# AUTOMOTIVE FUSE- BLADE TYPE

## A-2 BLADE AUTO FUSE

RoHS

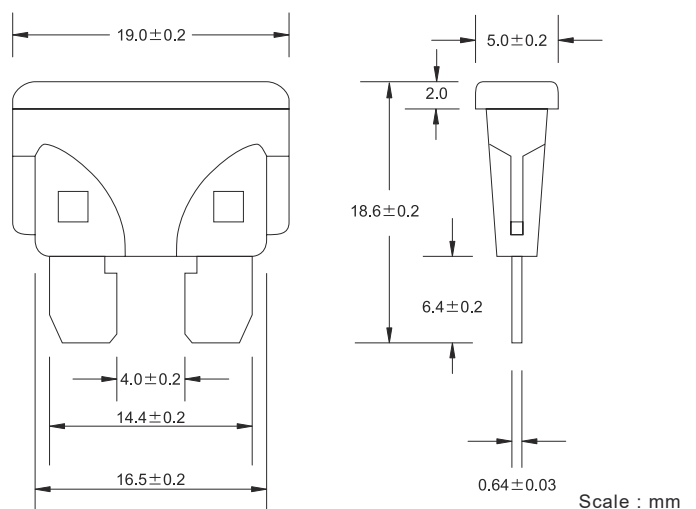
### Part No. : ATY-N series

- Fast Acting, Low Voltage For UP To 32V DC.
- Material : \* Body : Plastic.  
\* Metal : Zinc Alloy.
- Standard : SAE J1284.
- Circuit Protection To Replace Fusible Wire Or Fusible Link.
- Fuses Are Color-Coded For Easy Amperage Identification.



### Ordering Information

Part Number	Ampere (A)	Voltage (VDC)	Body Color
ATY-N 1	1 A	32 V	Black
ATY-N 2	2 A	32 V	Gray
ATY-N 3	3 A	32 V	Violet
ATY-N 4	4 A	32 V	Pink
ATY-N 5	5 A	32 V	Tan
ATY-N 7.5	7.5 A	32 V	Brown
ATY-N 10	10 A	32 V	Red
ATY-N 15	15 A	32 V	Blue
ATY-N 20	20 A	32 V	Yellow
ATY-N 25	25 A	32 V	Natural
ATY-N 30	30 A	32 V	Green
ATY-N 35	35 A	32 V	Purple
ATY-N 40	40 A	32 V	Orange



### Specifications :

Opening Time / Pre-arcing Time :

In	1.1 In	1.35 In		2.0 In		3.5 In		6.0 In	
		Min.	Max.	Min.	Max.	Min.	Max.	Min.	Max.
1-40 A	>100 Hours	0.75 s	1800 s	0.15 s	5 s	0.04 s	0.5 s	0.02 s	0.1 s

Interruption Rating : 1000 Amperes @ 32V DC



# AUTOMOTIVE FUSE- BLADE TYPE

## ATY-N BLADE FUSE PACKING TYPE

RoHS



### 100-100

10pcs / plastic box  
 100pcs / inner box  
 10,000pcs / ctn / 1.8'



### 100-102

50pcs / plastic box  
 5,000pcs / inner ctn  
 10,000pcs / ctn / 1.4'



### 100-101

100pcs / polybag & inner box  
 10,000pcs / ctn / 1.3'



### 100-107

100pcs / plastic box  
 5000pcs / inner ctn  
 10,000pcs / ctn / 1.4'



Part Number	Q'TY
ATY-N 3	1
ATY-N 5	1
ATY-N 7.5	1
ATY-N 10	2
ATY-N 15	2
ATY-N 20	1
ATY-N 25	1
ATY-N 30	1
100-98	1

### 100-105A

11pcs / blister card.  
 50cards / inner ctn.  
 500cards / ctn / 3.0'  
 N.W.:14KGS.  
 G.W.:16KGS.



### 100-A110

- Each pack contains loose-packed fuses of a single.
- Contains 10 fuses.

# AUTOMOTIVE FUSE- BLADE TYPE

## MINI AUTO FUSE

RoHS

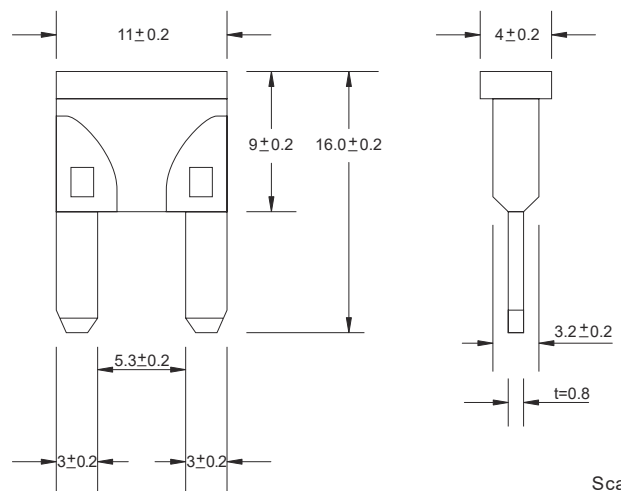
### Part No. : MIN-N series

- Fast Acting, Low Voltage For UP To 32V DC.
- Material : \* Body : Plastic.  
\* Metal : Zinc Alloy.
- Standard : SAE J2077.
- To Permit More Fuses in The Same Amount of Space.
- Fuses Are Color-Coded For Easy Amperage Identification.



### Ordering Information

Part Number	Ampere (A)	Voltage (VDC)	Body Color
MIN-N 2	2 A	32 V	Lt.Gray
MIN-N 3	3 A	32 V	Violet
MIN-N 4	4 A	32 V	Pink
MIN-N 5	5 A	32 V	Tan
MIN-N 7.5	7.5 A	32 V	Brown
MIN-N 10	10 A	32 V	Red
MIN-N 15	15 A	32 V	Blue
MIN-N 20	20 A	32 V	Yellow
MIN-N 25	25 A	32 V	Clear
MIN-N 30	30 A	32 V	Green
MIN-N 35	35 A	32 V	Purple



Scale : mm

### Specifications :

Opening Time / Pre-arcing Time :

In	1.1 In	1.35 In		2.0 In		3.5 In		6.0 In	
		Min.	Max.	Min.	Max.	Min.	Max.	Min.	Max.
2-35 A	>100 Hours	0.75 s	1800 s	0.15 s	5 s	0.04 s	0.5 s	0.02 s	0.1 s

Interruption Rating : 1000 Amperes @ 32V DC



# AUTOMOTIVE FUSE- BLADE TYPE

## MINI AUTO FUSE PACKING TYPE

RoHS



### 100-199

100pcs / polybag & color box  
 20,000pcs/CTN/1.3'  
 N.W.:13.5KGS G.W.:14.5KGS



### 100-203

5pcs / blister card  
 100cards / inner box  
 1,000cards / ctn / 3.6'  
 N.W.: 7.5KGS G.W.: 8.7KGS

Part Number	Q'TY
MIN-N 10	1
MIN-N 15	1
MIN-N 20	1
MIN-N 25	1
MIN-N 30	1



### 100-200

10pcs / plastic box,  
 100pcs/inner box  
 10,000pcs/ctn/1.3'  
 N.W.:11KGS G.W.: 12KGS



### 100-204

8pcs / blister card  
 100cards / inner box  
 1,000cards / ctn/3.6'  
 N.W.: 11.2KGS G.W.:12.4KGS

Part Number	Q'TY
MIN-N 3	1
MIN-N 5	1
MIN-N 7.5	1
MIN-N 10	1
MIN-N 15	1
MIN-N 20	1
MIN-N 25	1
MIN-N 30	1



### 100-201

100pcs / plastic box  
 10,000pcs / inner box  
 20,000pcs / ctn / 1.4'  
 N.W.: 19KGS G.W.: 20KGS



### 100-A210

- Each pack contains loose-packed fuses of a single.
- Contains 10 fuses.

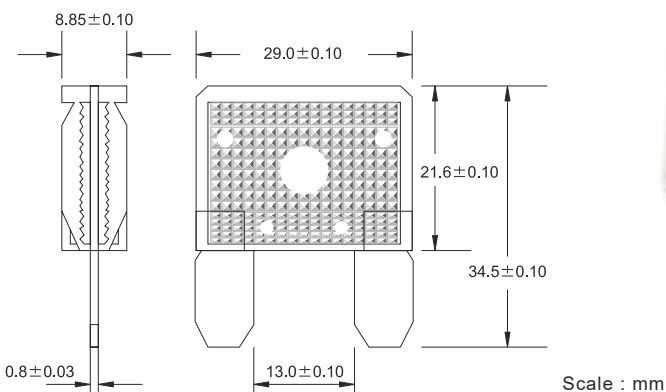
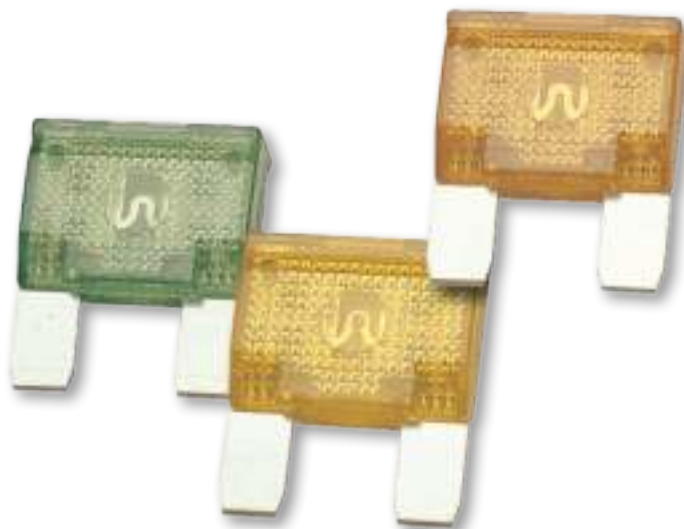
# AUTOMOTIVE FUSE- BLADE TYPE

## MAXI AUTO FUSE

RoHS

### PLUG-IN FUSE MAXI TYPE

- Slow Blow, Low Voltage For UP To 32V DC.
- Material : \* Body : Plastic.  
\* Metal : Zinc Alloy Strip.
- Standard : SAE J1888.
- Circuit Protection To Replace Fusible Wire Or Fusible Link.
- Fuses Are Color-Coded For Easy Amperage Identification.



**Part No. : MAX-N series**  
**Zinc-Material**

### Ordering Information

Part Number	Ampere ( A )	Voltage ( VDC )	Body Color
MAX-N 20	20 A	32 V	Yellow
MAX-N 30	30 A	32 V	Green
MAX-N 40	40 A	32 V	Orange
MAX-N 50	50 A	32 V	Red
MAX-N 60	60 A	32 V	Blue
MAX-N 70	70 A	32 V	Tan
MAX-N 80	80 A	32 V	Natural
MAX-N 100	100 A	32 V	Violet
MAX-N 120	120 A	32 V	Purple

### Specifications :

Opening Time / Pre-arcing Time :

In	1.1 In	1.35 In		2.0 In		3.5 In		6.0 In	
		Min.	Max.	Min.	Max.	Min.	Max.	Min.	Max.
20-120 A	>100 Hours	60 s	3600 s	2 s	60 s	0.2 s	7 s	0.04 s	1 s

Interruption Rating : 1000 Amperes @ 32V DC

# AUTOMOTIVE FUSE- BLADE TYPE

## MAXI AUTO FUSE PACKING TYPE

RoHS



**100-300**  
 20pcs / plastic box  
 1000pcs / inner ctn  
 2,000pcs / ctn / 1.4'



**100-304**  
 12pcs / polybag & color box  
 1200pcs / ctn / 1.3'



**100-301**  
 1pc / bilastic card  
 100cards / inner box  
 1,000cards / ctn / 3.6'



**100-A302**

- Each pack contains loose-packed fuses of a single.
- Contains 2 fuses.

Part Number	Q'TY
MAX-N 20	1
MAX-N 30	1
MAX-N 40	1
MAX-N 50	1
MAX-N 60	1
MAX-N 70	1
MAX-N 80	1
MAX-N 100	1



**100-302**  
 8pcs / blister card  
 20cards / inner box  
 200cards / ctn / 2.4'



**100-310**  
 10pcs / plastic box  
 1000pcs / inner ctn  
 2000pcs / ctn / 1.4'



# AUTOMOTIVE FUSE- BLADE TYPE

## LOW PROFILE MINI FUSE

RoHS

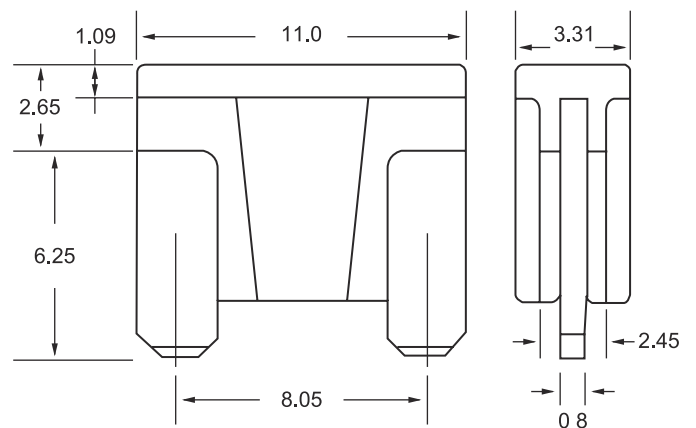
### Part No. : LPMiN series

- Extra Low Voltage Wiring Systems on All Types of Japanese Vehicles.
- Vdrtage Rating: 32V, 58V DC.
- Fast Acting.
- Material : \* Body : Plastic.  
\* Metal : Zinc Alloy.
- Circuit Protection To Replace Fusible Wire Or Fusible Link.
- Fuses Are Color-Coded For Easy Amperage Identification.



### Ordering Information

Part Number	Rated Current	Body Color
LPMiN02	2 AMP	Gray
LPMiN03	3 AMP	Violet
LPMiN04	4 AMP	Pink
LPMiN05	5 AMP	Tan
LPMiN7.5	7.5 AMP	Brown
LPMiN10	10 AMP	Red
LPMiN15	15 AMP	Blue
LPMiN20	20 AMP	Yellow
LPMiN25	25 AMP	Natural
LPMiN30	30 AMP	Green



Scale : mm

### Specifications :

Opening Time / Pre-arcing Time :

In	1.1 In	1.35 In		2.0 In		3.5 In		6.0 In	
2A - 30 A	>100 Hours	Min.	Max.	Min.	Max.	Min.	Max.	Min.	Max.
		0.75 s	1800 s	0.15 s	5 s	0.04 s	0.5 s	0.02 s	0.1 s

Interruption Rating : 1000 Amperes @ 32V DC

# AUTOMOTIVE FUSE- GLASS TUBE TYPE

## AMERICAN / JAPANESE CAR FUSE-OLD TYPE

RoHS

### AGA

American Car Fuses  
 6.35 x 15.9mm ( 1/4 x 5/8 inch )  
 Ampere Rating: 1A-30A  
 Voltage Rating: 32VDC  
 Standard: UL248-14



### AGW

American Car Fuses  
 6.35 x 22.2mm ( 1/4 x 7/8 inch )  
 Ampere Rating: 1A-30A  
 Voltage Rating: 32VDC  
 Standard: UL248-14



### AGX

American Car Fuses  
 6.35 x 25.4mm ( 1/4 x 1 inch )  
 Ampere Rating: 1A-30A  
 Voltage Rating: 32VDC  
 Standard: UL248-14



### AGC

American Car Fuses  
 6.35 x 32mm (1/4 x 1-1/4 inch)  
 Ampere Rating: 1A-30A  
 Voltage Rating: 32VDC  
 Standard: UL248-14



### AGY

American Car Fuses  
 6.35 x 36.5mm  
 ( 1/4 x 1-7/16 inch )  
 Ampere Rating: 50A  
 Voltage Rating: 32VDC  
 Standard: UL248-14



### JSO

Japanese Car Fuses  
 6.35 x 30mm  
 Ampere Rating: 1A-40A  
 Voltage Rating: 32VDC  
 Standard: JASO D601



### SFE

American Car Fuses  
 Ampere Rating: 4A-30A  
 Voltage Rating: 32V DC  
 Standard: UL248-14



Part Number	Ampere ( A )	Size ( inch )
SFE - 4	4 A	6.35x16mm ( 1/4x5/8 )
SFE - 6	6 A	6.35x19mm ( 1/4x3/4 )
SFE - 7.5	7.5 A	6.35x22mm ( 1/4x7/8 )
SFE - 9	9 A	6.35x22mm ( 1/4x7/8 )
SFE - 14	14 A	6.35x27mm ( 1/4x1-1/16 )
SFE - 20	20 A	6.35x32mm ( 1/4x1-1/4 )
SFE - 30	30 A	6.35x36.5mm ( 1/4x1-7/16 )

# AUTOMOTIVE FUSE- GLASS TUBE TYPE

## GLASS TUBE FUSE PACKING TYPE



### 100-501

50pcs / plastic box.  
5,000pcs / ctn / 0.8'  
N.W.: 10 KGS  
G.W.: 11 KGS



### 100-502

100pcs / plastic box.  
5,000pcs / inner ctn.  
10,000pcs / ctn / 1.4'

### 100-505

10pcs / blister card  
50Cards / inner ctn  
500Cards / ctn / 2.7'

Contents	
AGC- 5 (1)	AGC-20 (2)
AGC-10 (2)	AGC-25 (1)
AGC-15 (2)	AGC-30 (2)



### 100-506

100pcs polybag & color box.  
10,000pcs / ctn / 1.2'  
N.W.: 18 KGS  
G.W.: 20 KGS



### 100-A505

- Each pack contains loose-packed fuses of a single.
- Contains 20 fuses.



# AUTOMOTIVE FUSE-GLASS TUBE TYPE

## 5AG GLASS TUBE FUSE

### Specifications :

- Normal Blow Glass Tube Fuses.
- 10.30 x 38.1 mm ( 13/32 x 1-1/2 Inch ).
- Caps: Brass With Gold Plating & Nickel Plating.
- Body: Glass Tube.
- Element: Zinc Alloy.
- Standards: UL & CSA 248-14.
- Ampere Rating: 10-80A.
- Voltage Rating: 32V DC.

### Part No. : AGU-N series Nickel Plated Type



### Part No. : AGU-G series Gold Plated Type

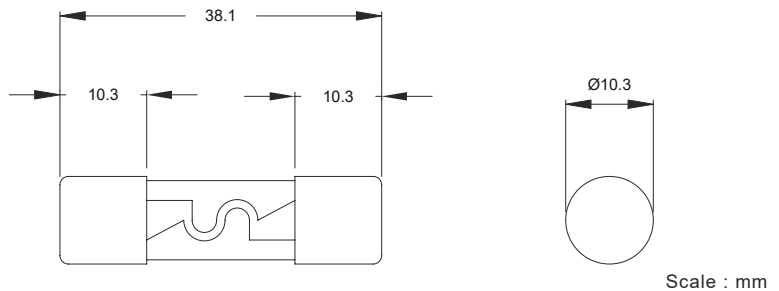


### Ordering Information

Part Number	Q'TY	Part Number	Q'TY
AGU-N10	10 A	AGU-N15	15 A
AGU-N20	20 A	AGU-N25	25 A
AGU-N30	30 A	AGU-N35	35 A
AGU-N40	40 A	AGU-N50	50 A
AGU-N60	60 A	AGU-N70	70 A
AGU-N80	80 A		

### Ordering Information

Part Number	Q'TY	Part Number	Q'TY
AGU-G10	10 A	AGU-G15	15 A
AGU-G20	20 A	AGU-G25	25 A
AGU-G30	30 A	AGU-G35	35 A
AGU-G40	40 A	AGU-G50	50 A
AGU-G60	60 A	AGU-G70	70 A
AGU-G80	80 A		



### Specifications :

Opening Time / Pre-arcing Time :

In	1.0 In	1.35 In	2.0 In
10-80 A	>4 Hours	Min.	Max.
		1 Hour	30 s

## 5AG GLASS TUBE FUSE PACKING TYPE

### 100-600

- 5pcs / paper box
- 50pcs / inner box
- 2500pcs / ctn / 0.6'
- N.W. 13 KGS
- G.W. 14 KGS



### 100-605

- 5pcs / blister Card
- 50Cards / inner box
- 500Cards / ctn / 2.4'
- N.W. 13 KGS
- G.W. 15 KGS



# FUSE LINK- JAPANESE CAR FUSES

## FUSE LINKS-PROTECT WIRING HARNESS

RoHS

### Part No. : FLK-F series Female Terminal

- For Japanese Car Use.
- Fuses Are Color-Coded For Easy Amperage Identification.
- Female Terminations.
- Standard: JASO D614.
- Rated Voltage: DC32V or less.

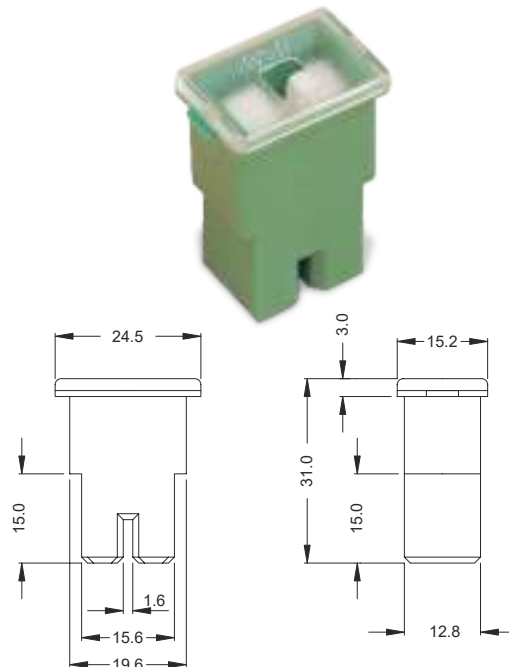
### Ordering Information

Part Number	Ampere ( A )	Body Color	Part Number	Ampere ( A )	Body Color
F 20 A	20 A	White	F 70 A	70 A	Brown
F 30 A	30 A	Pink	F 80 A	80 A	Black
F 40 A	40 A	Green	F 100 A	100 A	Blue
F 50 A	50 A	Red	F 120 A	120 A	Grey
F 60 A	60 A	Yellow			

### Specifications :

Opening Time / Pre-arcing Time : 24°C

In	1.1 In	2.0 In		3.5 In		6.0 In	
		Min.	Max.	Min.	Max.	Min.	Max.
20-120 A	>4 Hours	5 s	100 s	0.2 s	7 s	0.04 s	1 s



Scale : mm

### Part No. : FLK-SF series Female Terminal ( New )

- For Japanese Car Use.
- Fuses Are Color-Coded For Easy Amperage Identification.
- Female Terminations ( New Type ).
- Standard: JASO D614.
- Rated Voltage: DC32V or less.

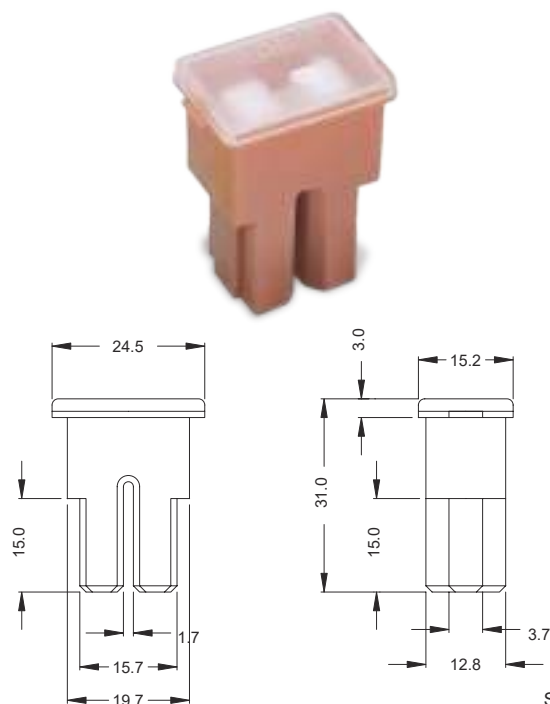
### Ordering Information

Part Number	Ampere ( A )	Body Color	Part Number	Ampere ( A )	Body Color
SF 20 A	20 A	White	SF 70 A	70 A	Brown
SF 30 A	30 A	Pink	SF 80 A	80 A	Black
SF 40 A	40 A	Green	SF 100 A	100 A	Blue
SF 50 A	50 A	Red	SF 120 A	120 A	Grey
SF 60 A	60 A	Yellow			

### Specifications :

Opening Time / Pre-arcing Time : 24°C

In	1.1 In	2.0 In		3.5 In		6.0 In	
		Min.	Max.	Min.	Max.	Min.	Max.
20-120 A	>4 Hours	5 s	100 s	0.2 s	7 s	0.04 s	1 s



Scale : mm

# FUSE LINK- JAPANESE CAR FUSES

## FUSE LINKS-PROTECT WIRING HARNESS

RoHS

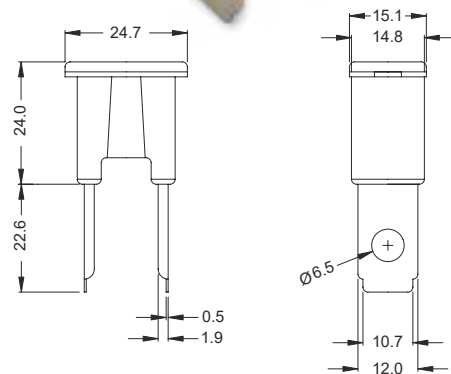
### Part No. : FLK-M series Straight Male Terminal

- For Japanese Car Use.
- Fuses Are Color-Coded For Easy Amperage Identification.
- Female Terminations.
- Standard: JASO D614.
- Rated Voltage: DC32V or less.



### Ordering Information

Part Number	Ampere ( A )	Body Color	Part Number	Ampere ( A )	Body Color
M 20 A	20 A	White	M 70 A	70 A	Brown
M 30 A	30 A	Pink	M 80 A	80 A	Black
M 40 A	40 A	Green	M 100 A	100 A	Blue
M 50 A	50 A	Red	M 120 A	120 A	Grey
M 60 A	60 A	Yellow			



Scale : mm

### Specifications :

Opening Time / Pre-arcing Time : 24°C

In	1.1 In	2.0 In		3.5 In		6.0 In	
20-120 A	>4 Hours	Min.	Max.	Min.	Max.	Min.	Max.
		5 s	100 s	0.2 s	7 s	0.04 s	1 s

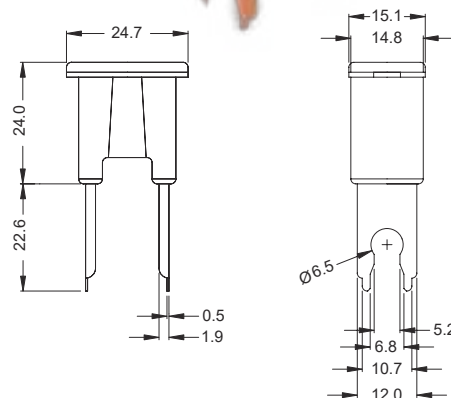
### Part No. : FLK-MY series Straight Male Terminal ( New )

- For Japanese Car Use.
- Fuses Are Color-Coded For Easy Amperage Identification.
- Female Terminations ( New Type ).
- Standard: JASO D614.
- Rated Voltage: DC32V or less.



### Ordering Information

Part Number	Ampere ( A )	Body Color	Part Number	Ampere ( A )	Body Color
MY 20 A	20 A	White	MY 70 A	70 A	Brown
MY 30 A	30 A	Pink	MY 80 A	80 A	Black
MY 40 A	40 A	Green	MY 100 A	100 A	Blue
MY 50 A	50 A	Red	MY 120 A	120 A	Grey
MY 60 A	60 A	Yellow			



Scale : mm

### Specifications :

Opening Time / Pre-arcing Time : 24°C

In	1.1 In	2.0 In		3.5 In		6.0 In	
20-120 A	>4 Hours	Min.	Max.	Min.	Max.	Min.	Max.
		5 s	100 s	0.2 s	7 s	0.04 s	1 s



# FUSE LINK- JAPANESE CAR FUSES

## FUSE LINKS-PROTECT WIRING HARNESS

RoHS

### Part No. : FLK-L series

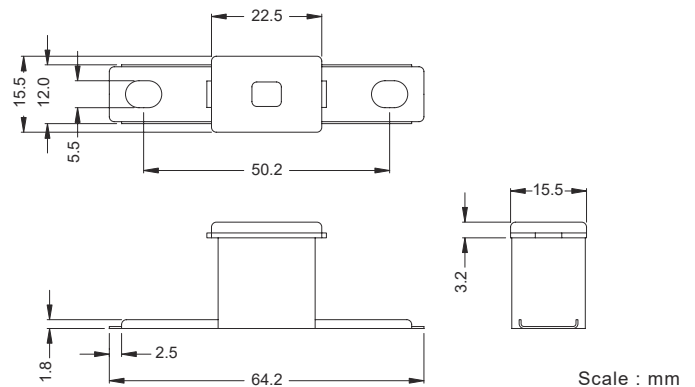
#### Bent-Male Terminal

- For Honda Car Use.
- Fuses Are Color-Coded For Easy Amperage Identification.
- Female Terminations.
- Standard: JASO D614.
- Rated Voltage: DC32V or less.



### Ordering Information

Part Number	Ampere ( A )	Body Color	Part Number	Ampere ( A )	Body Color
L 20 A	20 A	White	L 70 A	70 A	Brown
L 30 A	30 A	Pink	L 80 A	80 A	Black
L 40 A	40 A	Green	L 100 A	100 A	Blue
L 50 A	50 A	Red	L 120 A	120 A	Grey
L 60 A	60 A	Yellow			



### Specifications :

Opening Time / Pre-arcing Time : 24°C

In	1.1 In	2.0 In		3.5 In		6.0 In	
		Min.	Max.	Min.	Max.	Min.	Max.
20-120 A	>4 Hours	5 s	100 s	0.2 s	7 s	0.04 s	1 s

### Part No. : FLK-SL series

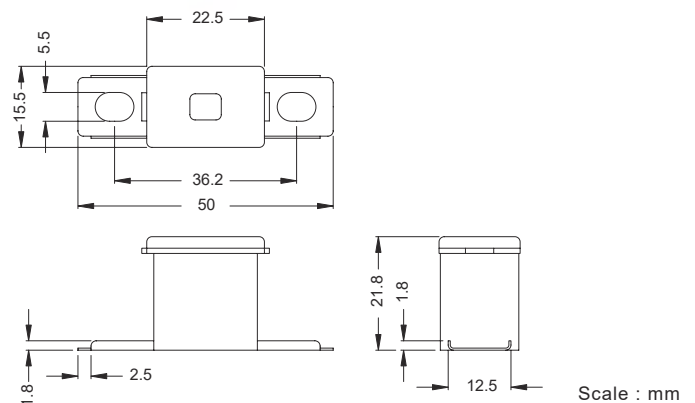
#### Bent-Male Terminal ( New )

- For Honda Car Use.
- Fuses Are Color-Coded For Easy Amperage Identification.
- Female Terminations ( New Type ).
- Standard: JASO D614.
- Rated Voltage: DC32V or less.



### Ordering Information

Part Number	Ampere ( A )	Body Color	Part Number	Ampere ( A )	Body Color
SL 20 A	20 A	White	SL 70 A	70 A	Brown
SL 30 A	30 A	Pink	SL 80 A	80 A	Black
SL 40 A	40 A	Green	SL 100 A	100 A	Blue
SL 50 A	50 A	Red	SL 120 A	120 A	Grey
SL 60 A	60 A	Yellow			



### Specifications :

Opening Time / Pre-arcing Time : 24°C

In	1.1 In	2.0 In		3.5 In		6.0 In	
		Min.	Max.	Min.	Max.	Min.	Max.
20-120 A	>4 Hours	5 s	100 s	0.2 s	7 s	0.04 s	1 s

# FUSE LINK- JAPANESE CAR FUSES

## FUSE LINKS-PROTECT WIRING HARNESS

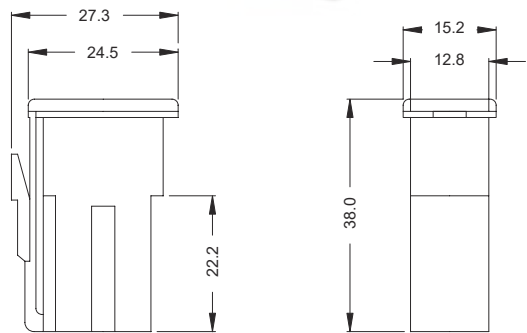
### Part No. : FLK-P series Female Terminal, Locking Tab

- For Nissan Car Use.
- Fuses Are Color-Coded For Easy Amperage Identification.
- Female Terminations.
- Standard: JASO D614.
- Rated Voltage: DC32V or less.



### Ordering Information

Part Number	Ampere ( A )	Body Color
P 45 A	45 A	Red
P 65 A	65 A	Black
P 75 A	75 A	Grey



### Specifications :

Opening Time / Pre-arcing Time : 24°C

Scale : mm

In	1.1 In	2.0 In		3.5 In		6.0 In	
45-75 A	>4 Hours	Min.	Max.	Min.	Max.	Min.	Max.
		5 s	100 s	0.2 s	7 s	0.04 s	1 s

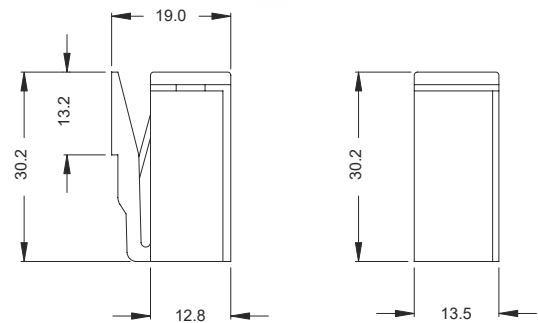
### Part No. : FLK-NP series Female Terminal, Locking Tab

- For Nissan Car Use.
- Fuses Are Color-Coded For Easy Amperage Identification.
- Female Terminations ( New Type ).
- Standard: JASO D614.
- Rated Voltage: DC32V or less.



### Ordering Information

Part Number	Ampere ( A )	Body Color	Part Number	Ampere ( A )	Body Color
NP 25 A	25 A	Brown	NP 60 A	60 A	Yellow
NP 30 A	30 A	Green	NP 70 A	70 A	Lt.Brown
NP 40 A	40 A	Lt.Green	NP 80 A	80 A	Black
NP 50 A	50 A	Red	NP 100 A	100 A	Blue



### Specifications :

Opening Time / Pre-arcing Time : 24°C

Scale : mm

In	1.1 In	2.0 In		3.5 In		6.0 In	
25-100 A	>4 Hours	Min.	Max.	Min.	Max.	Min.	Max.
		5 s	100 s	0.2 s	7 s	0.04 s	1 s

# FUSE LINK- JAPANESE CAR FUSES

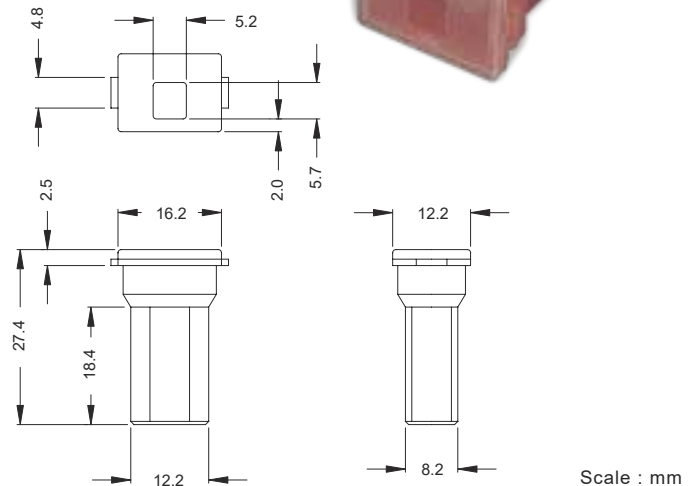
## FUSE LINKS-PROTECT WIRING HARNESS

RoHS

### Part No. : FLK-MF series

#### Mini-Female Terminal

- For Toyota, KIA, & Volkswagen Car Use.
- Fuses Are Color-Coded For Easy Amperage Identification.
- Female Terminations.
- Standard: JASO D614.
- Rated Voltage: DC32V or less.



### Ordering Information

Part Number	Ampere ( A )	Body Color	Part Number	Ampere ( A )	Body Color
MF 20 A	20 A	Lt.Blue	MF 60 A	60 A	Yellow
MF 30 A	30 A	Pink	MF 70 A	70 A	Brown
MF 40 A	40 A	Green	MF 80 A	80 A	Black
MF 50 A	50 A	Red	MF 100A	100 A	Blue

### Specifications :

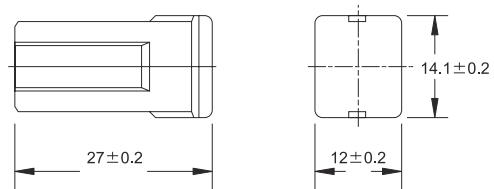
Opening Time / Pre-arcing Time : 24°C

In	1.1 In	2.0 In		3.5 In		6.0 In	
		Min.	Max.	Min.	Max.	Min.	Max.
20-100 A	>4 Hours	5 s	100 s	0.2 s	7 s	0.04 s	1 s

### Part No. : FLK-NMF series

#### Mini-Female Terminal (New)

- For Toyota, KIA, & Volkswagen Car Use.
- Fuses Are Color-Coded For Easy Amperage Identification.
- Female Terminations ( New Type ).
- Standard: JASO D614.
- Rated Voltage: DC32V or less.



### Ordering Information

Part Number	Ampere ( A )	Body Color	Part Number	Ampere ( A )	Body Color
NMF 20 A	20 A	Lt.Blue	NMF60 A	60 A	Yellow
NMF 30 A	30 A	Pink	NMF70 A	70 A	Brown
NMF 40 A	40 A	Green	NMF80 A	80 A	Black
NMF 50 A	50 A	Red	NMF100A	100 A	Blue

### Specifications :

Opening Time / Pre-arcing Time : 24°C

Scale : mm

In	1.1 In	2.0 In		3.5 In		6.0 In	
		Min.	Max.	Min.	Max.	Min.	Max.
20-100 A	>4 Hours	5 s	100 s	0.2 s	7 s	0.04 s	1 s



# FUSE LINK- JAPANESE CAR FUSES

## FUSE LINKS-PROTECT WIRING HARNESS

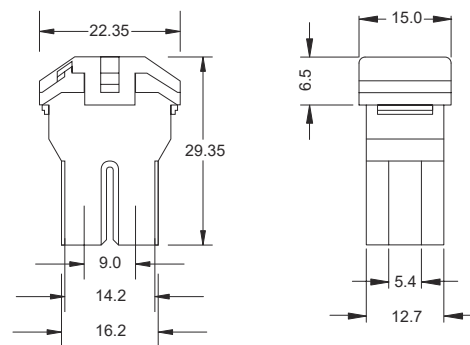
### Part No. : FLK-3F series Female Terminal

- Use For Chrysler & Japanese Car.
- Fuses Are Color-Coded For Easy Amperage Identification.
- Standard: JASO D614.
- Rated Voltage: DC32V or less.



### Ordering Information

Part Number	Ampere ( A )	Body Color	Part Number	Ampere ( A )	Body Color
3F 20 A	20 A	Lt.Blue	3F 60 A	60 A	Yellow
3F 30 A	30 A	Pink	3F 70 A	70 A	Brown
3F 40 A	40 A	Green	3F 80 A	80 A	Black
3F 50 A	50 A	Red	3F 100A	100 A	Blue



### Specifications :

Opening Time / Pre-arcing Time : 24°C

Scale : mm

In	1.1 In	2.0 In		3.5 In		6.0 In	
		Min.	Max.	Min.	Max.	Min.	Max.
20-100 A	>4 Hours	5 s	100 s	0.2 s	7 s	0.04 s	1 s

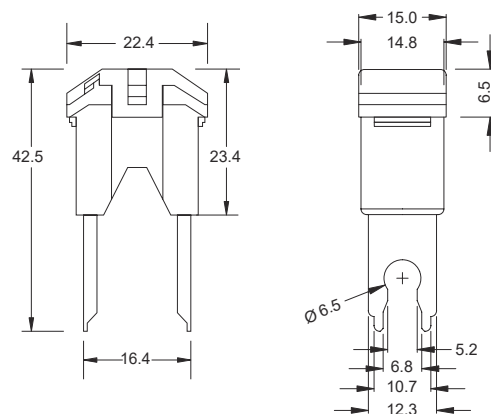
### Part No. : FLK-3M series Straight Male Terminal

- Use For Chrysler & Japanese Car.
- Fuses Are Color-Coded For Easy Amperage Identification.
- Standard: JASO D614.
- Rated Voltage: DC32V or less.



### Ordering Information

Part Number	Ampere ( A )	Body Color	Part Number	Ampere ( A )	Body Color
3M 20 A	20 A	Lt.Blue	3M 60 A	60 A	Yellow
3M 30 A	30 A	Pink	3M 70 A	70 A	Brown
3M 40 A	40 A	Green	3M 80 A	80 A	Black
3M 50 A	50 A	Red	3M 100A	100 A	Blue



### Specifications :

Opening Time / Pre-arcing Time : 24°C

Scale : mm

In	1.1 In	2.0 In		3.5 In		6.0 In	
		Min.	Max.	Min.	Max.	Min.	Max.
20-120 A	>4 Hours	5 s	100 s	0.2 s	7 s	0.04 s	1 s

# AUTOMOTIVE FUSE ASSORMENT KIT

## Contents :

Part Number	Q'TY	Part Number	Q'TY
AGC-3 A	10	ATY-N5	5
5x20-2 A	15	ATY-N7.5	5
5x20-5 A	10	ATY-N10	10
GBC-5 A	5	ATY-N15	10
GBC-8 A	10	ATY-N20	5
GBC-16 A	10	ATY-N25	10
GBC-25 A	5	ATY-N30	5



### 100-115

115pcs / plastic box

20boxes / ctn / 1.3'

N.W. 7 KGS

G.W. 8 KGS

Dimensions of the Box

( L x W x H ) 196x157x43mm

## Contents :

Part Number	Q'TY	Part Number	Q'TY
ATY-N3	15	ATY-N15	15
ATY-N5	15	ATY-N20	15
ATY-N7.5	15	ATY-N25	15
ATY-N10	15	ATY-N30	15



### 100-120

120pcs / plastic box

80boxes / ctn / 1.5'

N.W. 12 KGS

G.W. 14 KGS

Dimensions of the Box

( L x W x H ) 131x84x31mm

## Contents :

Part Number	Q'TY	Part Number	Q'TY
ATY-N1	20	ATY-N15	40
ATY-N2	20	ATY-N20	40
ATY-N3	20	ATY-N25	40
ATY-N4	40	ATY-N30	40
ATY-N5	40	ATY-N35	20
ATY-N7.5	40	ATY-N40	20
ATY-N10	40	Puller	2



### 100-1402

422pcs / plastic box

20boxes / ctn / 1.3'

N.W. 14 KGS

G.W. 16 KGS

Dimensions of the Box

( L x W x H ) 196x157x43mm

## Contents :

Part Number	Q'TY	Part Number	Q'TY
100-206 Puller	5	MIN-N10	100
MIN-N2	50	MIN-N15	150
MIN-N3	50	MIN-N20	100
MIN-N4	50	MIN-N25	100
MIN-N5	100	MIN-N30	100
MIN-N7.5	150	MIN-N35	100



### 100-207

1055pcs / plastic box

20boxes / ctn / 1.3'

N.W. 16 KGS

G.W. 17 KGS

Dimensions of the Box

( L x W x H ) 196x157x43mm

# AUTOMOTIVE FUSE ASSORMENT KIT

## 100-211

100pcs / plastic box  
 80boxes / ctn / 1.5'  
 Dimensions of the Box  
 ( L x W x H ) 131x84x31mm

### Contents :

Part Number	Q'TY	Part Number	Q'TY
MIN-N3	10	MIN-N15	15
MIN-N5	10	MIN-N20	15
MIN-N7.5	10	MIN-N25	15
MIN-N10	10	MIN-N30	15



## 100-316

16pcs / plastic box  
 80boxes / ctn / 1.5'  
 Dimensions of the Box  
 ( L x W x H ) 131x84x31mm

### Contents :

Part Number	Q'TY	Part Number	Q'TY
MAX-N20	2	MAX-N60	2
MAX-N30	2	MAX-N70	2
MAX-N40	2	MAX-N80	2
MAX-N50	2	MAX-N100	2



## 100-3640

640pcs / plastic box  
 20boxes / ctn / 1.3'  
 N.W. 16 KGS  
 G.W. 17 KGS  
 Dimensions of the Box  
 ( L x W x H ) 196x157x43mm

### Contents :

Part Number	Q'TY	Part Number	Q'TY
MIN-N3	50	MIN-N25	50
MIN-N4	50	MIN-N30	100
MIN-N5	50	MAX-N20	8
MIN-N7.5	50	MAX-N30	8
MIN-N10	50	MAX-N40	8
MIN-N15	100	MAX-N50	8
MIN-N20	100	MAX-N60	8



## 100-5120

120pcs / plastic box  
 80boxes / ctn / 1.5'  
 Dimensions of the Box  
 ( L x W x H ) 131x84x31mm

### Contents :

Part Number	Q'TY	Part Number	Q'TY
AGC-5	15	AGC-20	15
AGC-7.5	15	AGC-25	15
AGC-10	15	AGC-30	15
AGC-15	15	AGC-35	15



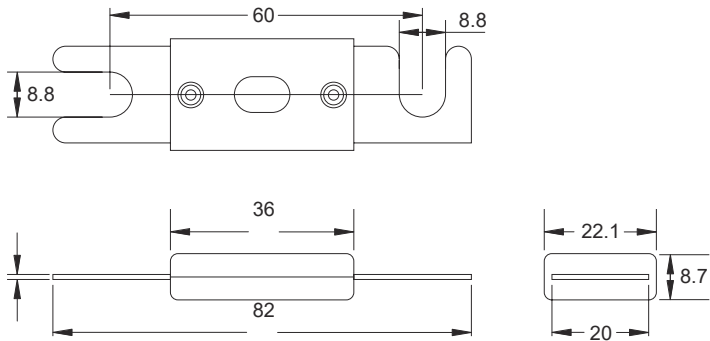


# BOLT-ON FUSE STRIPS WITH HOUSING

## GENERAL TYPE ANL FUSE

### Specifications :

- For High Performance And High Power Audio Systems, Also Use For Lift Trucks And Other Battery Operated System.
- Body Material: Plastic/Ceramic.
- Metal Element: Brass/Copper With Gold Plating.
- Ampere Rating: 35-500A.
- Voltage: 32V DC.



Scale : mm

**Part No. : ANB series**  
**Body Material: plastic**

### Ordering Information

Part Number	Ampere ( A )	Part Number	Ampere ( A )	Part Number	Ampere ( A )
ANB-35	35 A	ANB-80	80 A	ANB-200	200 A
ANB-40	40 A	ANB-100	100 A	ANB-225	225 A
ANB-50	50 A	ANB-120	120 A	ANB-250	250 A
ANB-60	60 A	ANB-150	150 A	ANB-275	275 A
ANB-70	70 A	ANB-175	175 A	ANB-300	300 A



**Part No. : ANG series**  
**Body Material: Ceramic**

### Ordering Information

Part Number	Ampere ( A )	Part Number	Ampere ( A )	Part Number	Ampere ( A )
ANG-35	35 A	ANG-125	125 A	ANG-300	300 A
ANG-40	40 A	ANG-150	150 A	ANG-325	325 A
ANG-50	50 A	ANG-175	175 A	ANG-350	350 A
ANG-60	60 A	ANG-200	200 A	ANG-375	375 A
ANG-70	70 A	ANG-225	225 A	ANG-400	400 A
ANG-80	80 A	ANG-250	250 A	ANG-450	450 A
ANG-100	100 A	ANG-275	275 A	ANG-500	500 A



### Specifications :

Opening Time / Pre-arcing Time :

In	1.1 In	1.5 In		2.2 In		2.5 In		4.0 In	
		Min.	Max.	Min.	Max.	Min.	Max.	Min.	Max.
		35-50 A	>4 Hours	3600 s	-	-	60 s	0.8 s	10 s

# BOLT-ON FUSE STRIPS WITH HOUSING

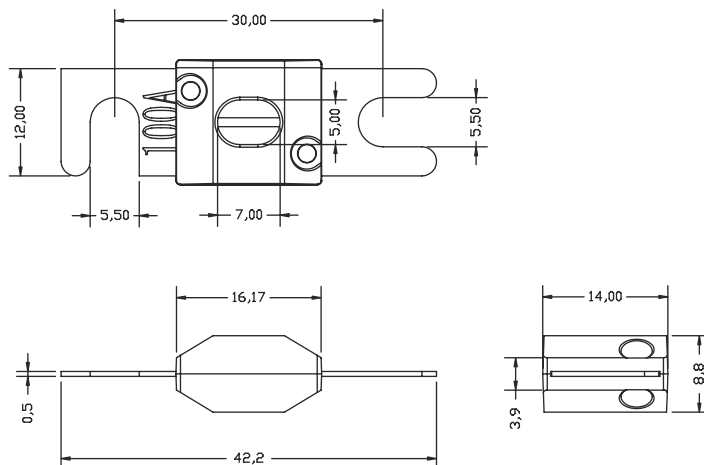
## MINI TYPE ANL FUSE

RoHS

### HMAF-N series Nickel Plated Type

#### Specifications :

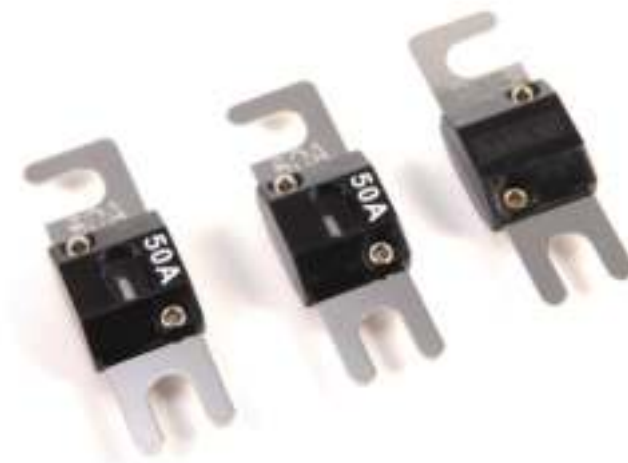
- Rating: 30A-200A
- Body Material: UL-Rated 94V-0 Thermoset Plastic
- Metal Element: Zinc/Copper with Nickel Plating, (Thickness: 0.5mm)
- Voltage Rating: DC 58V or Less
- Interrupting Rating: 2000A @ 32V DC
- Ambient Temperature: -40°C to + 125°C
- Product meet RoHS
- Product not UL Listed



Scale : mm

### Ordering Information

Part Number	Current Rating ( A )	Voltage (VDC)
HMAF-N 30	30	58V
HMAF-N 40	40	58V
HMAF-N 50	50	58V
HMAF-N 60	60	58V
HMAF-N 70	70	58V
HMAF-N 80	80	58V
HMAF-N 100	100	58V
HMAF-N 125	125	58V
HMAF-N 150	150	58V
HMAF-N 200	200	58V



### Opening Time / Pre-arcing Time :

In	1.1 In	1.35 In	2.0 In	3.0 In
30-200 A	>4Hours	<1800s	≤15s	≤5s

# BOLT-ON FUSE STRIPS WITH HOUSING

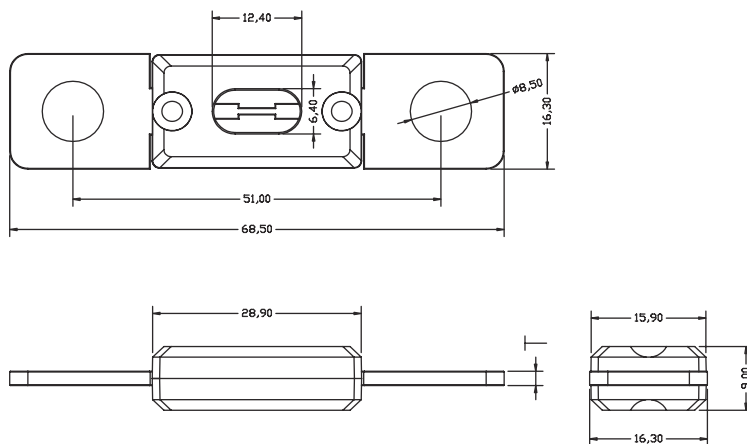
## MEDIUM TYPE ANL FUSE

RoHS

### HMDP series :

#### Specifications :

- Housing Material: UL-Rated 94V-0 Thermoset Plastic,  
Color: Black
- Metal elements are: Brass/Copper.  
(Thickness: 1.0mm & 2.0mm ), Nickel Plated
- Rating: 80A-500A
- Voltage rating: 32 VDC
- Interrupting Rating: 2000A @32V DC
- Ambient Temperature: - 40°C to +125°C
- Product meet RoHS
- Product not UL Listed



Scale : mm

### Ordering Information

Part Number	Current Rating ( A )	Voltage (VDC)	Thickness
HMDP-80	80	32V	T: 1.0mm
HMDP-100	100		
HMDP-125	125		
HMDP-150	150		
HMDP-175	175		
HMDP-200	200		
HMDP-225	225		
HMDP-250	250		
HMDP-300	300		
HMDP-400	400	32V	
HMDP-500	500		



### Opening Time / Pre-arcing Time :

In	1.1 In	1.35 In	2.0 In	3.0 In
80-500 A	>4Hours	<1800s	≤15s	≤5s

# FUSE PULLER & TESTER

RoHS

## 100-97

### Blade FUSE & 3AG FUSE SHORT-DUAL TYPE PULLER

Applications: ATY-N ( ATO / ATC ) Fuse & AGC (3AG) Fuse

Body Color: Black

Dimensions ( L x W x H ) 50 x 12 x 12.3 mm



## 100-312

### MAXI FUSE & 5AG FUSE DUAL TYPE FUSE PULLER

Applications: MAX-N ( MAXI & MAX ) Fuse & AGU ( 5AG ) Fuse

Body Color: Yellow

Dimensions ( L x W x H ) 88 x 24.5 x 17.5 mm



## 100-98

### ATY-N FUSE PULLER

Applications: ATY-N ( ATO / ATC ) Fuse

Body Color: Yellow

Dimensions ( L x W x H ) 31.3 x 10.1 x 10.8 mm



## 100-998

### MINI FUSE PULLER & TESTER With LED

Applications: MIN-N ( ATM & MIN ) fuse

Body Color: White

LED  $\phi$ 3.0 mm Color: Green

Dimensions ( L x W x H ) 66.6 x 19.7 x 15.2 mm

• Fuse Testing: If the fuse is broken, the Led will not light.

If the fuse remains functional, the Led will light.



## 100-99

### Blade FUSE & 3AG FUSE LONG-DUAL TYPE PULLER

Applications: ATY-N ( ATO / ATC ) Fuse &  
AGC ( 3AG ) Fuse

Body Color: Orange

Dimensions ( L x W x H ) 105.2 x 10.3 x 13.8 mm



## 100-999

### BLADE FUSE PULLER & TESTER With LED

Applications: ATY-N ( ATO / ATC ) FUSE

Body Color: White

LED  $\phi$ 3.0 mm Color: Green

Dimensions ( L x W x H ) 65 x 20.1 x 15.1 mm

• Fuse Testing: If the fuse is broken, the Led will not light.

If the fuse remains functional, the Led will light.



## 100-206

### MINI FUSE PULLER

Applications: MIN-N ( ATM & MIN ) fuse

Body Color: Orange

Dimensions ( L x W x H ) 32.8 x 13.5 x 11.4 mm





# AUTOMOTIVE CIRCUIT BREAKER

## BLADE TYPE CIRCUIT BREAKER ( AUTO RESET )

RoHS

### eATY series

#### Specifications :

- Automatic Reset Type (Type I)      ▪ Single Pole Thermal Circuit Breaker
- Rating: 5~30A; 14 VDC
- Interrupt Rating: 150A@14VDC (5A~10A VERSION); 225A@14VDC (15A VERSION);  
300A@14VDC (20A VERSION); 450A@14VDC (25A~30A VERSION)
- Operating Temperature Rating: -40°F(-40°C) to 180°F(85°C)
- Storage Temperature Rating: -40°F(-40°C) to 260°F(125°C)
- Testing Standard: SAE J553



#### Ordering Information

Part Number	Ampere	Body Color	Part Number	Ampere	Body Color	Part Number	Ampere	Body Color
eATY-5	5	Lt. Brown	eATY-8	8	Brown	eATY-20	20	Yellow
eATY-6	6	Black	eATY-10	10	Red	eATY-25	25	White
eATY-7.5	7.5	Brown	eATY-15	15	Blue	eATY-30	30	Green

## BLADE TYPE CIRCUIT BREAKER ( MANUAL RESET )



RoHS

### iATY series

#### Specifications :

- Manual Reset Type (Type III)      ▪ Single Pole Thermal Circuit Breaker
- Rating: 5~30A; 28 VDC
- Interrupt Rating: 2000A@28VDC
- Operating Temperature Rating: -40°F(-40°C) to 180°F(85°C)
- Storage Temperature Rating: -40°F(-40°C) to 260°F(125°C)
- Testing Standard: SAE J553      ▪ Approval: Listed by Certified



#### Ordering Information

Part Number	Ampere	Body Color	Part Number	Ampere	Body Color	Part Number	Ampere	Body Color
iATY-5	5	Lt. Brown	iATY-8	8	Brown	iATY-20	20	Yellow
iATY-6	6	Black	iATY-10	10	Red	iATY-25	25	White
iATY-7.5	7.5	Brown	iATY-15	15	Blue	iATY-30	30	Green

## BLADE TYPE CIRCUIT BREAKER ( MODIFIED RESET )

RoHS

### 2ATY series

#### Specifications :

- Modified Reset Type (Type II)      ▪ Single Pole Thermal Circuit Breaker
- Rating: 5~30A; 14 VDC
- Interrupt Rating: 150A@14VDC (5A~10A VERSION); 225A@14VDC (15A VERSION);  
300A@14VDC (20A VERSION); 450A@14VDC (25A~30A VERSION)
- Operating Temperature Rating: -40°F(-40°C) to 180°F(85°C)
- Storage Temperature Rating: -40°F(-40°C) to 260°F(125°C)
- Testing Standard: SAE J553



#### Ordering Information

Part Number	Ampere	Body Color	Part Number	Ampere	Body Color	Part Number	Ampere	Body Color
2ATY-5	5	Tan	2ATY-8	8	Brown	2ATY-20	20	Yellow
2ATY-6	6	Black	2ATY-10	10	Red	2ATY-25	25	White
2ATY-7.5	7.5	Brown	2ATY-15	15	Blue	2ATY-30	30	Green

# AUTOMOTIVE CIRCUIT BREAKER

## MINI CIRCUIT BREAKER, STANDARD TYPE

RoHS

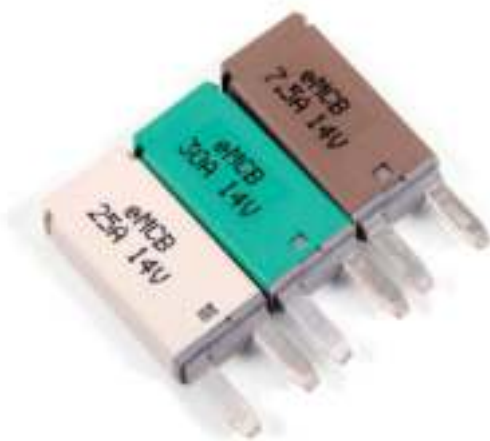
### eMCB series

#### Specifications :

- Automatic Reset Type (Type I)
- Single Pole Thermal Circuit Breaker
- Rating: 5~30A; 14VDC
- Interrupt Rating:
  - 150A@14VDC (5A~10A VERSION);
  - 225A@14VDC (15A VERSION);
  - 300A@14VDC (20A VERSION);
  - 450A@14VDC (25A~30A VERSION)
- Operating Temperature Rating:
  - 40°F(-40°C) to 180°F(85°C)
- Storage Temperature Rating:
  - 40°F(-40°C) to 260°F(125°C)
- Testing Standard: SAE J553 Type I

#### Ordering Information

Part Number	Ampere	Cover Color
eMCB-5	5	Tan
eMCB-7.5	7.5	Brown
eMCB-10	10	Red
eMCB-15	15	Blue
eMCB-20	20	Yellow
eMCB-25	25	White
eMCB-30	30	Green



### 2MCB series

#### Specifications :

- Modified Reset Type (Type II)
- Single Pole Thermal Circuit Breaker
- Rating: 5~30A; 14VDC
- Interrupt Rating:
  - 150A@14VDC (5A~10A VERSION);
  - 225A@14VDC (15A VERSION);
  - 300A@14VDC (20A VERSION);
  - 450A@14VDC (25A~30A VERSION)
- Operating Temperature Rating:
  - 40°F(-40°C) to 180°F(85°C)
- Storage Temperature Rating:
  - 40°F(-40°C) to 260°F(125°C)
- Testing Standard: SAE J553 Type II

#### Ordering Information

Part Number	Ampere	Cover Color
2MCB-5	5	Tan
2MCB-7.5	7.5	Brown
2MCB-10	10	Red
2MCB-15	15	Blue
2MCB-20	20	Yellow
2MCB-25	25	White
2MCB-30	30	Green



### iMCB series

#### Specifications :

- Manual Reset Type (Type III)
- Single Pole Thermal Circuit Breaker
- Rating: 5~30A; 28VDC
- Interrupt Rating:
  - 100A@28VDC (5A~10A VERSION);
  - 150A@28VDC (15A VERSION);
  - 200A@28VDC (20A VERSION);
  - 400A@28VDC (25A~30A VERSION)
- Operating Temperature Rating:
  - 40°F(-40°C) to 180°F(85°C)
- Storage Temperature Rating:
  - 40°F(-40°C) to 260°F(125°C)
- Testing Standard: SAE J553 Type III

#### Ordering Information

Part Number	Ampere	Cover Color
iMCB-5	5	Tan
iMCB-7.5	7.5	Brown
iMCB-10	10	Red
iMCB-15	15	Blue
iMCB-20	20	Yellow
iMCB-25	25	White
iMCB-30	30	Green



# AUTOMOTIVE CIRCUIT BREAKER

## MINI CIRCUIT BREAKER, SPECIAL TYPE

RoHS

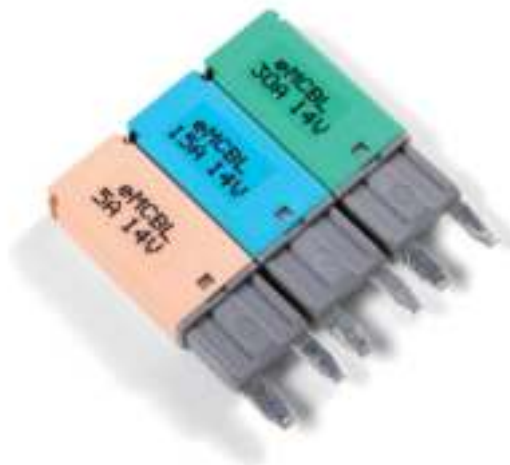
### eMCBL series

#### Specifications :

- Automatic Reset Type (Type I)
- Single Pole Thermal Circuit Breaker
- Rating: 5~30A; 14VDC
- Interrupt Rating:
  - 150A@14VDC (5A~10A VERSION);
  - 225A@14VDC (15A VERSION);
  - 300A@14VDC (20A VERSION);
  - 450A@14VDC (25A~30A VERSION)
- Operating Temperature Rating:
  - 40°F(-40°C) to 180°F(85°C)
- Storage Temperature Rating:
  - 40°F(-40°C) to 260°F(125°C)
- Testing Standard: SAE J553 Type I

#### Ordering Information

Part Number	Ampere	Cover Color
eMCBL-5	5	Tan
eMCBL-7.5	7.5	Brown
eMCBL-10	10	Red
eMCBL-15	15	Blue
eMCBL-20	20	Yellow
eMCBL-25	25	White
eMCBL-30	30	Green



### 2MCBL series

#### Specifications :

- Modified Reset Type (Type II)
- Single Pole Thermal Circuit Breaker
- Rating: 5~30A; 14VDC
- Interrupt Rating:
  - 150A@14VDC (5A~10A VERSION);
  - 225A@14VDC (15A VERSION);
  - 300A@14VDC (20A VERSION);
  - 450A@14VDC (25A~30A VERSION)
- Operating Temperature Rating:
  - 40°F(-40°C) to 180°F(85°C)
- Storage Temperature Rating:
  - 40°F(-40°C) to 260°F(125°C)
- Testing Standard: SAE J553 Type II

#### Ordering Information

Part Number	Ampere	Cover Color
2MCBL-5	5	Tan
2MCBL-7.5	7.5	Brown
2MCBL-10	10	Red
2MCBL-15	15	Blue
2MCBL-20	20	Yellow
2MCBL-25	25	White
2MCBL-30	30	Green



### iMCBL series

#### Specifications :

- Manual Reset Type (Type III)
- Single Pole Thermal Circuit Breaker
- Rating: 5~30A; 28VDC
- Interrupt Rating:
  - 100A@28VDC (5A~10A VERSION);
  - 150A@28VDC (15A VERSION);
  - 200A@28VDC (20A VERSION);
  - 400A@28VDC (25A~30A VERSION)
- Operating Temperature Rating:
  - 40°F(-40°C) to 180°F(85°C)
- Storage Temperature Rating:
  - 40°F(-40°C) to 260°F(125°C)
- Testing Standard: SAE J553 Type III

#### Ordering Information

Part Number	Ampere	Cover Color
iMCBL-5	5	Tan
iMCBL-7.5	7.5	Brown
iMCBL-10	10	Red
iMCBL-15	15	Blue
iMCBL-20	20	Yellow
iMCBL-25	25	White
iMCBL-30	30	Green





# AUTOMOTIVE CIRCUIT BREAKER

## MINI CIRCUIT BREAKER

RoHS

### ePLM series

#### Specifications :

- Automatic Reset Type (Type I)
- Single Pole Thermal Circuit Breaker
- Rating: 5~30A; 14 VDC
- Interrupt Rating: 100A@12VDC (5A~10A VERSION);  
150A@12VDC (15A VERSION);  
200A@12VDC (20A VERSION);  
300A@12VDC (25A~30A VERSION)
- Operating Temperature Rating: -40°F(-40°C) to 180°F(85°C)
- Storage Temperature Rating: -40°F(-40°C) to 260°F(125°C)
- Testing Standard: SAE J553 Type I
- Typical Applications: Extra low voltage wiring systems on all types of Toyota & Lexus Cars



#### Ordering Information

Part Number	Ampere	Cover Color
ePLM-5	5	Tan
ePLM-7.5	7.5	Brown
ePLM-10	10	Red
ePLM-15	15	Blue
ePLM-20	20	Yellow
ePLM-25	25	White
ePLM-30	30	Green

### iPLM series

#### Specifications :

- Manual Reset Type (Type III)
- Single Pole Thermal Circuit Breaker
- Rating: 5~30A; 28 VDC
- Interrupt Rating: 100A@28VDC (5A~10A VERSION);  
150A@28VDC (15A VERSION);  
200A@28VDC (20A VERSION);  
300A@28VDC (25A~30A VERSION)
- Operating Temperature Rating: -40°F(-40°C) to 180°F(85°C)
- Storage Temperature Rating: -40°F(-40°C) to 260°F(125°C)
- Testing Standard: SAE J553 Type III
- Typical Applications: Extra low voltage wiring systems on all types of Toyota & Lexus Cars



#### Ordering Information

Part Number	Ampere	Cover Color
iPLM-5	5	Tan
iPLM-7.5	7.5	Brown
iPLM-10	10	Red
iPLM-15	15	Blue
iPLM-20	20	Yellow
iPLM-25	25	White
iPLM-30	30	Green



# AUTOMOTIVE CIRCUIT BREAKER

## STUD TYPE CIRCUIT BREAKER ( Type I )

RoHS

### AUTO RESET TYPE

#### Specifications :

- COVER: METAL
- TERMINALS: TWO# 10~32 STUD.
- RATING: 5~50A; 12 VDC; 24 VDC
- OPERATING TEMPERATURE: -23°C to 65°C
- STORAGE TEMPERATURE: -29°C to 93°C
- STANDARD: SAE J553 ( TYPE I )
- APPLICATIONS: BATTERY CHARGES, TRUCKS, BUSES, RV'S TROLLING MOTORS, ETC.

### Part No. : CBA-100 series

STUD MOUNTED WITH RIGHT ANGLE BRACKET

#### AUTO RESET ( TYPE I )

#### Ordering Information

Part Number	Ampere	Part Number	Ampere
CBA-105	5	CBA-120	20
CBA-106	6	CBA-125	25
CBA-108	8	CBA-130	30
CBA-110	10	CBA-140	40
CBA-115	15	CBA-150	50



### Part No. : CBB-100 series

STUD MOUNTED WITH IN-LINE BRACKET

#### AUTO RESET ( TYPE I )

#### Ordering Information

Part Number	Ampere	Part Number	Amper
CBB-105	5	CBB-120	20
CBB-106	6	CBB-125	25
CBB-108	8	CBB-130	30
CBB-110	10	CBB-140	40
CBB-115	15	CBB-150	50



### Part No. : CB-200 series

STUD MOUNTED

#### AUTO RESET ( TYPE I )

#### Ordering Information

Part Number	Ampere	Part Number	Ampere
CB-205	5	CB-220	20
CB-206	6	CB-225	25
CB-208	8	CB-230	30
CB-210	10	CB-240	40
CB-215	15	CB-250	50



# AUTOMOTIVE CIRCUIT BREAKER

## STUD TYPE CIRCUIT BREAKER ( Type II )

RoHS

### MODIFIED RESET TYPE

#### Specifications :

- COVER: METAL
- TERMINALS: TWO# 10~32 STUD.
- RATING: 5~50A
- VOLTAGE: 12VDC.24VDC CAN CHOOSE EITHER ONE OF THE VOLTAGE, BUT CANNOT USE AT THE SAME TIME THE TWO VOLTAGE
- OPERATING TEMPERATURE: -23°C to 65°C
- STORAGE TEMPERATURE: -29°C to 93°C
- STANDARD: SAE J553 (TYPE II )
- APPLICATIONS: BATTERY CHARGES, TRUCKS, BUSES, RV'S TROLLING MOTORS, ETC.

### Part No. : CBA-200 series

STUD MOUNTED WITH RIGHT ANGLE BRACKET

#### MODIFIED RESET ( TYPE II )

#### Ordering Information

Part Number	Ampere	Part Number	Ampere
CBA-205	5	CBA-220	20
CBA-206	6	CBA-225	25
CBA-208	8	CBA-230	30
CBA-210	10	CBA-240	40
CBA-215	15	CBA-250	50



### Part No. : CBB-200 series

STUD MOUNTED WITH IN-LINE BRACKET

#### MODIFIED RESET ( TYPE II )

#### Ordering Information

Part Number	Ampere	Part Number	Ampere
CBB-205	5	CBB-220	20
CBB-206	6	CBB-225	25
CBB-208	8	CBB-230	30
CBB-210	10	CBB-240	40
CBB-215	15	CBB-250	50



### Part No. : CBK-200 series

STUD MOUNTED

#### MODIFIED RESET ( TYPE II )

#### Ordering Information

Part Number	Ampere	Part Number	Ampere
CBK-205	5	CBK-220	20
CBK-206	6	CBK-225	25
CBK-208	8	CBK-230	30
CBK-210	10	CBK-240	40
CBK-215	15	CBK-250	50



# AUTOMOTIVE CIRCUIT BREAKER

## STUD TYPE CIRCUIT BREAKER ( Type III )

RoHS

### MANUAL RESET TYPE

#### Specification :

- COVER: METAL
- TERMINALS: TWO# 10-32 STUD.
- RATING: 5~50A; 12 VDC; 24 VDC
- OPERATING TEMPERATURE: -23°C to 65°C
- STORAGE TEMPERATURE: -29°C to 93°C
- STANDARD: SAE J553 ( TYPE III )
- APPLICATIONS: BATTERY CHARGES, TRUCKS, BUSES, RV'S TROLLING MOTORS, ETC.

### Part No. : CBAH-100 series

STUD MOUNTED WITH RIGHT ANGLE BRACKET

#### MANUAL RESET ( TYPE III )

#### Ordering Information

Part Number	Ampere	Part Number	Ampere
CBAH-105	5	CBAH-120	20
CBAH-106	6	CBAH-125	25
CBAH-108	8	CBAH-130	30
CBAH-110	10	CBAH-140	40
CBAH-115	15	CBAH-150	50



### Part No. : CBBH--100 series

STUD MOUNTED WITH IN-LINE BRACKET

#### MANUAL RESET ( TYPE III )

#### Ordering Information

Part Number	Ampere	Part Number	Amper
CBBH-105	5	CBBH-120	20
CBBH-106	6	CBBH-125	25
CBBH-108	8	CBBH-130	30
CBBH-110	10	CBBH-140	40
CBBH-115	15	CBBH-150	50



### Part No. : CBH-200 series

STUD MOUNTED

#### MANUAL RESET ( TYPE III )

#### Ordering Information

Part Number	Ampere	Part Number	Ampere
CBH-205	5	CBH-220	20
CBH-206	6	CBH-225	25
CBH-208	8	CBH-230	30
CBH-210	10	CBH-240	40
CBH-215	15	CBH-250	50



# AUTOMOTIVE CIRCUIT BREAKER

## STUD TYPE CIRCUIT BREAKER ( Type I )

RoHS

### AUTO RESET TYPE

#### Specification :

- COVER: PLASTIC
- TERMINALS: TWO# 10~32 STUD.
- RATING: 5~50A; 12 VDC; 24 VDC
- OPERATING TEMPERATURE: -23°C to 65°C
- STORAGE TEMPERATURE: -29°C to 93°C
- STANDARD: SAE J553 ( TYPE I )
- APPLICATIONS: BATTERY CHARGES, TRUCKS, BUSES, RV'S TROLLING MOTORS, ETC.

### Part No. : PCBA-100 series

STUD MOUNTED WITH RIGHT ANGLE BRACKET

#### AUTO RESET ( TYPE I )

#### Ordering Information

Part Number	Ampere	Part Number	Amper
PCBA-105	5	PCBA-120	20
PCBA-106	6	PCBA-125	25
PCBA-108	8	PCBA-130	30
PCBA-110	10	PCBA-140	40
PCBA-115	15	PCBA-150	50



### Part No. : PCBB-100 series

STUD MOUNTED WITH IN-LINE BRACKET

#### AUTO RESET ( TYPE I )

#### Ordering Information

Part Number	Ampere	Part Number	Amper
PCBB-105	5	PCBB-120	20
PCBB-106	6	PCBB-125	25
PCBB-108	8	PCBB-130	30
PCBB-110	10	PCBB-140	40
PCBB-115	15	PCBB-150	50



### Part No. : PCB-200 series

STUD MOUNTED

#### AUTO RESET ( TYPE I )

#### Ordering Information

Part Number	Ampere	Part Number	Ampere
PCB-205	5	PCB-220	20
PCB-206	6	PCB-225	25
PCB-208	8	PCB-230	30
PCB-210	10	PCB-240	40
PCB-215	15	PCB-250	50





# AUTOMOTIVE CIRCUIT BREAKER

## STUD TYPE CIRCUIT BREAKER ( Type II )

RoHS

### MODIFIED RESET TYPE

#### Specification :

- COVER: PLASTIC
- TERMINALS: TWO# 10~32 STUD
- RATING: 5~50A
- VOLTAGE: 12VDC. 24VDC CAN CHOOSE EITHER ONE OF THE VOLTAGE, BUT CANNOT USE AT THE SAME TIME THE TWO VOLTAGE
- OPERATING TEMPERATURE: -23°C to 65°C
- STORAGE TEMPERATURE: -29°C to 93°C
- STANDARD: SAE J553 ( TYPE II )
- APPLICATIONS: BATTERY CHARGES, TRUCKS, BUSES, RV'S TROLLING MOTORS, ETC

#### Part No. : PCBA-200 series

STUD MOUNTED WITH RIGHT ANGLE BRACKET

#### MODIFIED RESET ( TYPE II )

#### Ordering Information

Part Number	Ampere	Part Number	Amper
PCBA-205	5	PCBA-220	20
PCBA-206	6	PCBA-225	25
PCBA-208	8	PCBA-230	30
PCBA-210	10	PCBA-240	40
PCBA-215	15	PCBA-250	50



#### Part No. : PCB-200 series

STUD MOUNTED WITH IN-LINE BRACKET

#### MODIFIED RESET ( TYPE II )

#### Ordering Information

Part Number	Ampere	Part Number	Amper
PCBB-205	5	PCBB-220	20
PCBB-206	6	PCBB-225	25
PCBB-208	8	PCBB-230	30
PCBB-210	10	PCBB-240	40
PCBB-215	15	PCBB-250	50



#### Part No. : PCBK-200 series

STUD MOUNTED

#### MODIFIED RESET ( TYPE II )

#### Ordering Information

Part Number	Ampere	Part Number	Amper
PCBK-205	5	PCBK-220	20
PCBK-206	6	PCBK-225	25
PCBK-208	8	PCBK-230	30
PCBK-210	10	PCBK-240	40
PCBK-215	15	PCBK-250	50



# AUTOMOTIVE CIRCUIT BREAKER

## STUD TYPE CIRCUIT BREAKER ( Type III )

RoHS

### MANUAL RESET TYPE

#### Specification :

- COVER: PLASTIC
- TERMINALS: TWO# 10~32 STUD.
- RATING: 5~50A; 12 VDC; 24 VDC
- OPERATING TEMPERATURE: -23°C to 65°C
- STORAGE TEMPERATURE: -29°C to 93°C
- STANDARD: SAE J553 ( TYPE III )
- APPLICATIONS: BATTERY CHARGES, TRUCKS, BUSES, RV'S TROLLING MOTORS, ETC.

### Part No. : PCBAH-100 series

STUD MOUNTED WITH RIGHT ANGLE BRACKET

#### MANUAL RESET ( TYPE III )

#### Ordering Information

Part Number	Ampere	Part Number	Ampere
PCBAH-105	5	PCBAH-120	20
PCBAH-106	6	PCBAH-125	25
PCBAH-108	8	PCBAH-130	30
PCBAH-110	10	PCBAH-140	40
PCBAH-115	15	PCBAH-150	50



### Part No. : PCBBH-100 series

STUD MOUNTED WITH IN-LINE BRACKET

#### MANUAL RESET ( TYPE III )

#### Ordering Information

Part Number	Ampere	Part Number	Ampere
PCBBH-105	5	PCBBH-120	20
PCBBH-106	6	PCBBH-125	25
PCBBH-108	8	PCBBH-130	30
PCBBH-110	10	PCBBH-140	40
PCBBH-115	15	PCBBH-150	50



### Part No. : PCBH-200 series

STUD MOUNTED

#### MANUAL RESET ( TYPE III )

#### Ordering Information

Part Number	Ampere	Part Number	Ampere
PCBH-205	5	PCBH-220	20
PCBH-206	6	PCBH-225	25
PCBH-208	8	PCBH-230	30
PCBH-210	10	PCBH-240	40
PCBH-215	15	PCBH-250	50



# AUTOMOTIVE CIRCUIT BREAKER

## BLADE TYPE CIRCUIT BREAKER

RoHS

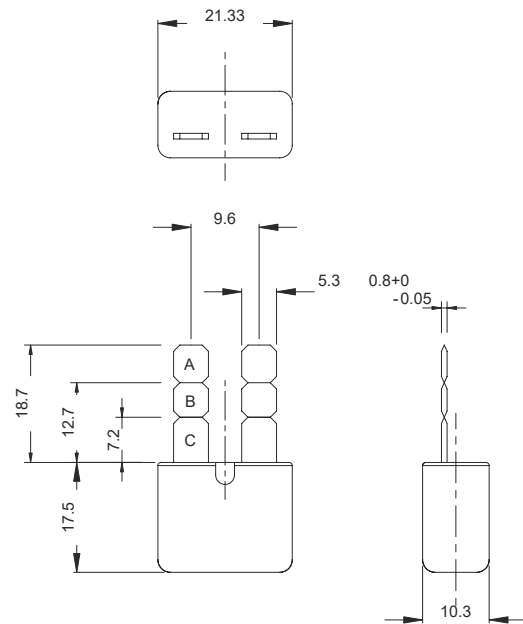
### Vehicle Replacement Guide

Terminal Position A	Ford Pickup Trucks
Terminal Position B	Dodge Trucks
	Ford Trucks (Heavy)
	Navistar (IHC) Trucks
Terminal Position C	Kenworth Trucks

### PART NO. : CB-500 series

AUTOMATIC RESET TYPE ( TYPE I )

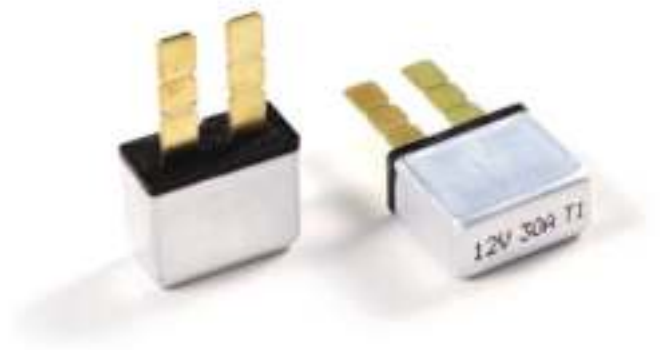
- VOLTAGE: 12V DC
- AMPERES RATING: 5~30A
- OPERATING TEMPERATURE: -23°C to 65°C
- STORAGE TEMPERATURE: -29°C to 93°C
- STANDARD: SAE J553 TYPE I



Scale : mm

### Ordering Information

Part Number	Ampere ( A )	Part Number	Ampere ( A )
CB-505	5 A	CB-515	15 A
CB-506	6 A	CB-520	20 A
CB-508	8 A	CB-525	25 A
CB-510	10 A	CB-530	30 A



### PART NO. : CBK-500 series

MODIFIED RESET TYPE ( TYPE II )

- VOLTAGE: 12V DC
- AMPERES RATING: 5~30A
- OPERATING TEMPERATURE: -23°C to 65°C
- STORAGE TEMPERATURE: -29°C to 93°C
- STANDARD: SAE J553 TYPE II

### Ordering Information

Part Number	Ampere ( A )	Part Number	Ampere ( A )
CBK-505	5 A	CBK-515	15 A
CBK-506	6 A	CBK-520	20 A
CBK-508	8 A	CBK-525	25 A
CBK-510	10 A	CBK-530	30 A



# HIGH-AMP CIRCUIT BREAKER

## GCA SERIES, GCA-A SERIES, GCA-B SERIES


RoHS

**WATERPROOF (MEET IP67)  
Surface Mount**

**Applications :**

Typically used in auxiliary and accessory circuits-trucks, buses, RV's and marine applications  
Others might include battery chargers and DC audio systems.

**Specifications :**

- Ratings: 25A to 200A
- Voltage: 42 VDC Maximum
- Operating Temperature: -32°C to 82°C
- Storage Temperature: -34°C to 149°C
- Standard Testing: SAE J1625; SAE J1171 (Ignition Protected)
- Housing: Thermoset Plastic, UL rated 94VO
- Approval:  50A-150A 32VDC

**Ordering Information**

Part Number	Ampere ( A )	Part Number	Ampere ( A )	Part Number	Ampere ( A )
GCA-25	25 A	GCA-70	70 A	GCA-135	135 A
GCA-30	30 A	GCA-80	80 A	GCA-140	140 A
GCA-40	40 A	GCA-90	90 A	GCA-150	150 A
GCA-50	50 A	GCA-100	100 A	GCA-180	180 A
GCA-60	60 A	GCA-120	120 A	GCA-200	200 A

**PART NO. : GCA series  
Manual Switch Reset, Type III**



**Ordering Information**

Part Number	Ampere ( A )	Part Number	Ampere ( A )	Part Number	Ampere ( A )
GCA-A25	25 A	GCA-A70	70 A	GCA-A135	135 A
GCA-A30	30 A	GCA-A80	80 A	GCA-A140	140 A
GCA-A40	40 A	GCA-A90	90 A	GCA-A150	150 A
GCA-A50	50 A	GCA-A100	100 A	GCA-A180	180 A
GCA-A60	60 A	GCA-A120	120 A	GCA-A200	200 A

**PART NO. : GCA-A series  
Manual Reset, Type III**



**Ordering Information**

Part Number	Ampere ( A )	Part Number	Ampere ( A )	Part Number	Ampere ( A )
GCA-B25	25 A	GCA-B70	70 A	GCA-B135	135 A
GCA-B30	30 A	GCA-B80	80 A	GCA-B140	140 A
GCA-B40	40 A	GCA-B90	90 A	GCA-B150	150 A
GCA-B50	50 A	GCA-B100	100 A	GCA-B180	180 A
GCA-B60	60 A	GCA-B120	120 A	GCA-B200	200 A

**PART NO. : GCA-B series  
Automatic Reset, Type I**





# HIGH-AMP CIRCUIT BREAKER

## GCA-S1 SERIES, GCA-A-S1 SERIES, GCA-B-S1 SERIES

RoHS

### WATERPROOF (MEET IP67) Surface Mount

#### Applications :

Typically used in auxiliary and accessory circuits-trucks, buses, RV's and marine applications

Others might include battery chargers and DC audio systems.

#### Specifications :

- Ratings: 25A to 200A
- Voltage: 48 VDC Maximum
- Operating Temperature: -32°C to 82°C
- Storage Temperature: -34°C to 149°C
- Standard Testing: SAE J1625; SAE J1171 (Ignition Protected)
- Housing: Thermoset Plastic, UL rated 94VO

#### Ordering Information

Part Number	Ampere (A)	Part Number	Ampere (A)
GCA-S1-25	25A	GCA-S1-120	120A
GCA-S1-30	30A	GCA-S1-135	135A
GCA-S1-40	40A	GCA-S1-140	140A
GCA-S1-50	50A	GCA-S1-150	150A
GCA-S1-60	60A	GCA-S1-175	175A
GCA-S1-70	70A	GCA-S1-180	180A
GCA-S1-80	80A	GCA-S1-200	200A
GCA-S1-90	90A	GCA-S1-250	250A
GCA-S1-100	100A	GCA-S1-300	300A

#### PART NO. : GCA-S1 series Manual Switch Reset, Type III



#### Ordering Information

Part Number	Ampere (A)	Part Number	Ampere (A)
GCA-A-S1-25	25A	GCA-A-S1-100	100A
GCA-A-S1-30	30A	GCA-A-S1-120	120A
GCA-A-S1-40	40A	GCA-A-S1-135	135A
GCA-A-S1-50	50A	GCA-A-S1-140	140A
GCA-A-S1-60	60A	GCA-A-S1-150	150A
GCA-A-S1-70	70A	GCA-A-S1-175	175A
GCA-A-S1-80	80A	GCA-A-S1-200	200A
GCA-A-S1-90	90A	GCA-A-S1-250	250A

#### PART NO. : GCA-A-S1 series Manual Reset, Type III



#### Ordering Information

Part Number	Ampere (A)	Part Number	Ampere (A)
GCA-B-S1-25	25A	GCA-B-S1-120	120A
GCA-B-S1-30	30A	GCA-B-S1-135	135A
GCA-B-S1-40	40A	GCA-B-S1-140	140A
GCA-B-S1-50	50A	GCA-B-S1-150	150A
GCA-B-S1-60	60A	GCA-B-S1-175	175A
GCA-B-S1-70	70A	GCA-B-S1-200	200A
GCA-B-S1-80	80A	GCA-B-S1-250	250A
GCA-B-S1-90	90A	GCA-B-S1-300	300A
GCA-B-S1-100	100A		

#### PART NO. : GCA-B-S1 series Automatic Reset, Type I



# HIGH-AMP CIRCUIT BREAKER

## GCA-S3 SERIES, GCA-A-S3 SERIES, GCA-B-S3 SERIES

RoHS

**WATERPROOF (MEET IP67)**  
**Surface Mount**

**Applications :**

Typically used in auxiliary and accessory circuits-trucks, buses, RV's and marine applications  
Others might include battery chargers and DC audio systems.

**Specifications :**

- Ratings: 25A to 200A
- Voltage: 48 VDC Maximum
- Operating Temperature: -32°C to 82°C
- Storage Temperature: -34°C to 149°C
- Standard Testing: SAE J1625; SAE J1171 (Ignition Protected)
- Housing: Thermoset Plastic, UL rated 94VO

**Ordering Information**

Part Number	Ampere (A)	Part Number	Ampere (A)
GCA-S3-25	25A	GCA-S3-120	120A
GCA-S3-30	30A	GCA-S3-135	135A
GCA-S3-40	40A	GCA-S3-140	140A
GCA-S3-50	50A	GCA-S3-150	150A
GCA-S3-60	60A	GCA-S3-175	175A
GCA-S3-70	70A	GCA-S3-200	200A
GCA-S3-80	80A	GCA-S3-250	250A
GCA-S3-90	90A	GCA-S3-300	300A
GCA-S3-100	100A		

**PART NO. : GCA-S3 series**  
**Manual Switch Reset, Type III**



**Ordering Information**

Part Number	Ampere (A)	Part Number	Ampere (A)
GCA-A-S3-25	25A	GCA-A-S3-120	120A
GCA-A-S3-30	30A	GCA-A-S3-135	135A
GCA-A-S3-40	40A	GCA-A-S3-140	140A
GCA-A-S3-50	50A	GCA-A-S3-150	150A
GCA-A-S3-60	60A	GCA-A-S3-175	175A
GCA-A-S3-70	70A	GCA-A-S3-200	200A
GCA-A-S3-80	80A	GCA-A-S3-250	250A
GCA-A-S3-90	90A	GCA-A-S3-300	300A
GCA-A-S3-100	100A		

**PART NO. : GCA-A-S3 series**  
**Manual Reset, Type III**



**Ordering Information**

Part Number	Ampere (A)	Part Number	Ampere (A)
GCA-B-S3-25	25A	GCA-B-S3-120	120A
GCA-B-S3-30	30A	GCA-B-S3-135	135A
GCA-B-S3-40	40A	GCA-B-S3-140	140A
GCA-B-S3-50	50A	GCA-B-S3-150	150A
GCA-B-S3-60	60A	GCA-B-S3-175	175A
GCA-B-S3-70	70A	GCA-B-S3-200	200A
GCA-B-S3-80	80A	GCA-B-S3-250	250A
GCA-B-S3-90	90A	GCA-B-S3-300	300A
GCA-B-S3-100	100A		

**PART NO. : GCA-B-S3 series**  
**Automatic Reset, Type I**



# HIGH-AMP CIRCUIT BREAKER

## GCB SERIES, GCB-A SERIES, GCB-B SERIES and ACCESSORY

RoHS

### WATERPROOF (MEET IP67)

#### Panel Mount

#### Applications :

Typically used in auxiliary and accessory circuits-trucks, buses, RV's and marine applications

Others might include battery chargers and DC audio systems

#### Specifications :

- Ratings: 25A to 200A
- Voltage: 42 VDC Maximum
- Operating Temperature: -32°C to 82°C
- Storage Temperature: -34°C to 149°C
- Standard Testing: SAE J1625; SAE J1171 (Ignition Protected)
- Housing: Thermoset Plastic, UL rated 94VO
- Approval: cURus 25A-100A 42V DC

#### Ordering Information

Part Number	Ampere (A)	Part Number	Ampere (A)
GCB-25	25A	GCB-90	90A
GCB-30	30A	GCB-100	100A
GCB-40	40A	GCB-120	120A
GCB-50	50A	GCB-135	135A
GCB-60	60A	GCB-140	140A
GCB-70	70A	GCB-150	150A
GCB-80	80A	GCB-200	200A

#### PART NO. : GCB series Manual switch Reset, Type III



#### Ordering Information

Part Number	Ampere (A)	Part Number	Ampere (A)
GCB-A25	25A	GCB-A90	90A
GCB-A30	30A	GCB-A100	100A
GCB-A40	40A	GCB-A120	120A
GCB-A50	50A	GCB-A135	135A
GCB-A60	60A	GCB-A140	140A
GCB-A70	70A	GCB-A150	150A
GCB-A80	80A	GCB-A200	200A

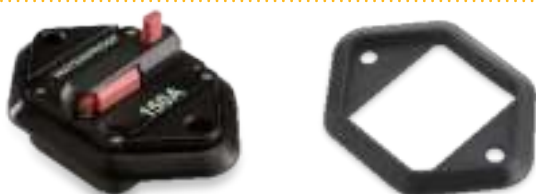
#### PART NO. : GCB-A series Manual Reset, Type III



#### Ordering Information

Part Number	Ampere (A)	Part Number	Ampere (A)
GCB-B25	25A	GCB-B90	90A
GCB-B30	30A	GCB-B100	100A
GCB-B40	40A	GCB-B120	120A
GCB-B50	50A	GCB-B135	135A
GCB-B60	60A	GCB-B140	140A
GCB-B70	70A	GCB-B150	150A
GCB-B80	80A	GCB-B200	200A

#### PART NO. : GCB-B series Automatic Reset, Type I



#### PART NO. : GCB/C Cover Panel Mount For GCB, GCB-A and GCB-B Circuit Breaker

#### Specifications :

- Rubber, Color: Black
- Product meet ROHS Standard

# ELECTRONIC FUSE

## ø5.2x20mm & 6.35x32mm FAST –ACTING TYPE

RoHS

### UL248-14 STANDARD

#### Specifications :

5.2 x 20mm  
 Fast-Acting  
 Construction: Glass Tube  
 Electrical Characteristics: 2 In Max. 120 sec.  
 1.35 In Max. 3600 sec. 1 In Min. 4 hours  
 Ampere Rating: 0.1A-30A  
 Voltage Rating: 125V/250V  
 Approvals: UL, CSA, METI  
 From: 0.1-8A 125V/ 250V, 10A 125V

101-EFS



101-EFS / PA



#### Specifications :

5.2 x 20mm  
 Fast-Acting  
 Construction: Ceramic Tube  
 Electrical Characteristics:  
 2 In Max. 120 sec.  
 1.35 In Max. 3600 sec.  
 1 In Min. 4 hours  
 Ampere Rating: 0.1A-30A  
 Voltage Rating: 125V/250V  
 Approvals: UL248, CSA-C22.2 248

101-EFSC



101-EFSC / PA



#### Specifications :

6.35 x 32mm  
 Fast-Acting  
 Construction: Glass Tube  
 Electrical Characteristics: 2 In Max. 120 sec.  
 1.35 In Max. 3600 sec.  
 1 In Min. 4 hours  
 Ampere Rating: 0.1A-30A  
 Voltage Rating: 125V/250V  
 Approvals: UL, CSA, METI  
 From 0.1-10A 125V / 250V

102-EFL



102-EFL / PA



#### Specifications :

6.35 x 32mm  
 Fast-Acting  
 Construction: Ceramic Tube  
 Electrical Characteristics:  
 2 In Max. 120 sec.  
 1.35 In Max. 3600 sec.  
 1 In Min. 4 hours  
 Ampere Rating: 0.1A-30A  
 Voltage Rating: 125V/250V  
 Approvals: UL248, CSA-C22.2 248

102-EFLC



102-EFLC / PA





# ELECTRONIC FUSE

## ø5.2x20mm & 6.35x32mm SLOW-BLOW TYPE

RoHS

### UL248-14 STANDARD

#### Specifications :

5.2 x 20mm

Slow-Blow

Construction: Glass Tube

Electrical Characteristics: 2 In 3-120 sec.

1.35 In Max. 3600 sec. 1 In Min. 4 hours

Ampere Rating: 0.1A-30A

Voltage Rating: 125V/250V

Approvals: UL, CSA, METI

From: 0.063-6.3A 125V, 0.063-3.15A 250V

#### 103-MDS



#### 103-MDS / PA



#### Specifications :

5.2 x 20mm

Slow-Blow

Construction: Ceramic Tube

Electrical Characteristics:

2 In 3-120 sec.

1.35 In Max. 3600 sec.

1 In Min. 4 hours

Ampere Rating: 0.1A-30A

Voltage Rating: 125V/250V

Approvals: UL248, CSA-C22.2 248

#### 103-MDSC



#### 103-MDSC / PA



#### Specifications :

6.35 x 32mm

Slow-Blow

Construction: Glass Tube

Electrical Characteristics:

2 In 3-120 sec

1.35 In Max. 3600 sec.

1 In Min. 4 hours

Ampere Rating: 0.1A-30A

Voltage Rating: 125V/250V

Approvals: UL248, CSA-C22.2 248

#### 104-MDL



#### 104-MDL / PA



#### Specifications :

6.35 x 32mm

Slow-Blow

Construction: Ceramic Tube

Electrical Characteristics:

2 In 3-120 sec

1.35 In Max. 3600 sec.

1 In Min. 4 hours

Ampere Rating: 0.1A-30A

Voltage Rating: 125V/250V

Approvals: UL248, CSA-C22.2 248

#### 104-MDLC



#### 104-MDLC / PA



# P.C.B. FUSE CLIP

## 3AG / GMA P.C.B. FUSE CLIP

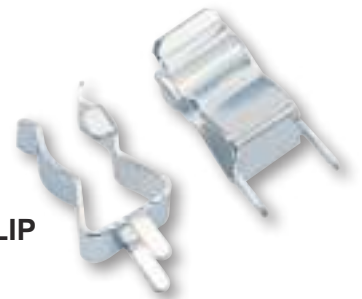
RoHS



**3AG P.C.B. FUSE CLIP**  
**FC-01**

**Specifications :**

- Electrical: Rated for currents up to 15A.
- Material: Spring brass, Thickness 0.5mm.
- Finish: Tin-plated.
- Ear type, with axil and direction lags.
- Applicable Fuse: 6.35 x 32 & 6.35 x 30mm.



**GMA P.C.B. FUSE CLIP**  
**FC-04**

**Specifications :**

- Electrical: Rated for currents up to 10A.
- Material: Spring brass, Thickness 0.35mm.
- Finish: Tin-plated.
- Ear type, with axil and direction lags.
- Applicable Fuse: 5.2 x 20mm.

## ATY-N P.C.B. FUSE CLIP



**FC-06**

**Specifications :**

- Electrical: Rated for currents up to 15A.
- Material: Spring brass, Thickness 0.35mm.
- Finish: Tin-plated.
- Applicable Fuse: ATY-N ( ATC, ATO ).



**FC-06 A**

**Specifications :**

- Electrical: Rated for currents up to 15A.
- Material: Spring brass, Thickness 0.35mm.
- Finish: Tin-plated.
- Applicable Fuse: ATY-N ( ATC, ATO ).

## MIN-N P.C.B. FUSE CLIP



**FC-07**

**Specifications :**

- Electrical: Rated for currents up to 15A.
- Material: Spring brass, Thickness 0.3mm.
- Finish: Tin-plated.
- Applicable Fuse: MIN-N ( ATM, MINI ).



**FC-08**

**Specifications :**

- Electrical: Rated for currents up to 15A.
- Material: Spring brass, Thickness 0.3mm.
- Finish: Tin-plated.
- Applicable Fuse: MIN-N ( ATM, MINI ).

# P.C.B. FUSE BLOCK & PANEL MOUNT FUSE HOLDER

## 3AG P.C.B. FUSE BLOCK

RoHS

### FCB-10

#### Specifications :

- Insertion & Extraction Force: 1.5 Kg. Min.
- Dielectric Strength For 60 Seconds: AC 3000V Min.
- Suitable Rated Current: 30A 250V AC
- Insulation Resistance At 500V DC: 500MΩ Min.
- Temperature Rise: 60°C Max.
- Voltage Drop: 15 mV Max.
- Body Material: NATURAL Flame Retarding UL 94V0 Thermoplastic.
- Applicable Fuse: 6.35 x 32 & 6.35 x 30mm



## GMA P.C.B. FUSE BLOCK

### FCB-01

#### Specifications :

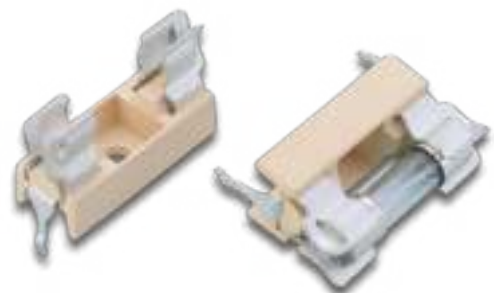
- Insertion & Extraction Force: 1 Kg. Min.
- Dielectric Strength For 60 Seconds: AC 500V Min.
- Suitable Rated Current: 6.3A 250V AC
- Insulation Resistance At 500V DC: 100MΩ Min.
- Temperature Rise: 50°C Max.
- Voltage Drop: 20 mV Max.
- Body Material: Nylon.
- Applicable Fuse: 5.2 x 20mm.



### FB-216

#### Specifications :

- Insertion & Extraction Force: 1.5 Kg. Min.
- Dielectric Strength For 60 Seconds: AC 2000V Min.
- Suitable Rated Current: 6.3A 250V.
- Insulation Resistance At 500V DC: 500MΩ Min.
- Temperature Rise: 60°C Max.
- Voltage Drop: 15 mV Max.
- Body Material: Nylon.
- Applicable Fuse: 5.2 x 20mm.



## PANEL MOUNT FUSE HOLDER

#### Specifications :

- Rated Current: 10A 250V.
- Insulation Resistance At 500V DC: 100MΩ Min.
- Contact Resistance: 5mΩ At 1A Min.
- Dielectric Strength For 60 Seconds: AC 1500V Min.
- Screw Knob
- Product are CE Listed.



722012 A



Applicable Fuse: 6.35 x 32mm  
6.35 x 30mm



722012 B



Applicable Fuse: 5.2 x 20mm

# P.C.B. FUSE BLOCK

## ATY-N P.C.B. FUSE BLOCK

RoHS

FCB-25

FCB-25A

### Specifications :

- Insertion & Extraction Force: 1 Kg. Min.
- Dielectric Strength For 60 Seconds: AC 2000V Min.
- Suitable Rated Current: 20A Max.
- Insulation Resistance At 500V DC: 100MΩ Min.
- Temperature Rise: 50°C Max.
- Voltage Drop: 20 mV Max.
- Terminals: Brass Tin Plated.
- Body Material: Flame Retarding UL94V0 Thermoplastic.
- Applicable Fuse: ATY-N ( ATC, ATO ).



## MIN-N P.C.B. FUSE BLOCK

FCB-26

FCB-26A

### Specifications :

- Insertion & Extraction Force: 1 Kg. Min.
- Dielectric Strength For 60 Seconds: AC 1500V Min.
- Suitable Rated Current: 15A Max
- Insulation Resistance At 500V DC: 100MΩ Min.
- Temperature Rise: 50°C Max.
- Voltage Drop: 20 mV Max.
- Terminals: Brass Tin Plated.
- Body Material: Flame Retarding UL94V0 Thermoplastic.
- Applicable Fuse: MIN-N ( ATM, MINI ).



## ATY-N P.C.B. FUSE BLOCK

CY-211KP

CY-211AP

### Specifications :

- Insertion & Extraction Force: 1 Kg. Min.
- Dielectric Strength For 60 Seconds: AC 1500V Min.
- Suitable Rated Current: 30A Max.
- Insulation Resistance At 500V DC: 100MΩ Min.
- Temperature Rise: 50°C Max.
- Voltage Drop: 20 mV Max.
- Terminals: Brass Tin Plated.
- Body Material: Nylon PA-66.
- Applicable Fuse: ATY-N ( ATC, ATO ).





# IN LINE FUSE HOLDER FOR GLASS TUBE FUSES

RoHS

- Contact: Bronze, Tin / Nickel Plated
- With Other Wire Size Or Lengths Available On Special Order.
- To Install Fuses With " Loop" Type Wires, Simply Cut Loop Into Two Separate Wires Of Desired Length.

## 3AG BAKELITE FUSE HOLDER–Battery Link

- Body Material: Bakelite.
- Applicable Fuse: AGC & JSO.
- Wires: 10#, 12#, 14#, 16#, 18#.
- Length: 8" Loop.
- Rated Current: 40AMP MAX.
- Screw Type.

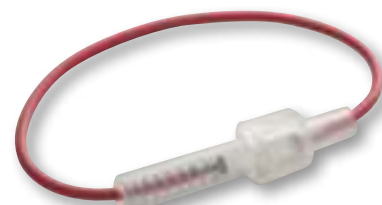
Part Number	Description
200-101	10 GA Pated to 40 AMP
200-102	12 GA Pated to 30 AMP
200-103	14 GA Pated to 20 AMP
200-104	16 GA Pated to 15 AMP
200-105	18 GA Pated to 10 AMP



## 3AG P.P. FUSE HOLDER–Battery Link

- Body Material: P.P.
- Applicable Fuse: AGC & JSO.
- Wires: 18#, 20#.
- Length: 8" Loop.
- Rated Current: 20AMP MAX.
- Bayonet Type.

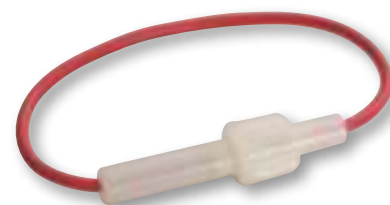
Part Number	Description
200-301	18 GA Pated to 10 AMP
200-302	20 GA Pated to 5 AMP



## 3AG NYLON FUSE HOLDER–Battery Link

- Body Material: Nylon PA-66.
- Applicable Fuse: AGC & JSO.
- Wires: 12#, 14#, 16#, 18#.
- Length: 8" Loop.
- Rated Current: 30AMP MAX.
- Bayonet Type.

Part Number	Description
200-501	12 GA Pated to 30 AMP
200-502	14 GA Pated to 20 AMP
200-503	16 GA Pated to 15 AMP
200-504	18 GA Pated to 10 AMP



## 3AG NYLON FUSE HOLDER–Battery Link

- Body Material: Nylon PA-66.
- Applicable Fuse: AGC & JSO.
- Wires: 12#, 14#, 16#, 18#.
- Length: 8" Loop.
- Rated Current: 30AMP MAX.
- Bayonet Type.

Part Number	Description
200-601	12 GA Pated to 30 AMP
200-602	14 GA Pated to 20 AMP
200-603	16 GA Pated to 15 AMP
200-604	18 GA Pated to 10 AMP



## 3AG NYLON FUSE HOLDER–Battery Link

- Body Material: Nylon PA-66.
- Applicable Fuse: AGC & JSO.
- Wires: 12#, 14#, 16#, 18#.
- Length: 8" Loop.
- Rated Current: 30AMP MAX.
- Interlock Type.

Part Number	Description
200-901	12 GA Pated to 30 AMP
200-902	14 GA Pated to 20 AMP
200-903	16 GA Pated to 15 AMP
200-904	18 GA Pated to 10 AMP



# IN LINE FUSE HOLDER FOR GLASS TUBE FUSES

RoHS

- Contact: Bronze, Tin / Nickel Plated
- With Other Wire Size Or Lengths Available On Special Order.
- To Install Fuses With “ Loop” Type Wires, Simply Cut Loop Into Two Separate Wires Of Desired Length.

## 3AG P.C. FUSE HOLDER–Battery Link

- Body Material: P.C.
- Applicable Fuse: AGC & JSO.
- Wires: 12#, 14#, 16#, 18#.
- Length: 8” Loop.
- Rated Current: 30AMP MAX.
- Interlock Type.

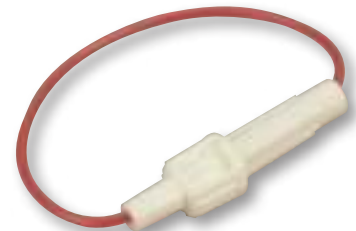
Part Number	Description
200-R 901	12 GA Pated to 30 AMP
200-R 902	14 GA Pated to 20 AMP
200-R 903	16 GA Pated to 15 AMP
200-R 904	18 GA Pated to 10 AMP



## 3AG NYLON FUSE HOLDER–Battery Link

- Body Material: Nylon UL94V0.
- Applicable Fuse: AGC & JSO.
- Wires: 12#, 14#, 16#, 18#.
- Length: 8” Loop.
- Rated Current: 30AMP MAX.
- Bayonet Type.

Part Number	Description
200-V 501	12 GA Pated to 30 AMP
200-V 502	14 GA Pated to 20 AMP
200-V 503	16 GA Pated to 15 AMP
200-V 504	18 GA Pated to 10 AMP



## 3AG BAKELITE FUSE HOLDER–Battery Link

- Body Material: Bakelite.
- Applicable Fuse: AGC & JSO.
- Wires: 10#, 12#, 14#, 16#, 18#.
- Length: 8” Loop.
- Rated Current: 30AMP MAX.
- Bayonet Type.

Part Number	Description
205-100	10 GA Pated to 40 AMP
205-101	12 GA Pated to 30 AMP
205-102	14 GA Pated to 20 AMP
205-103	16 GA Pated to 15 AMP
205-104	18 GA Pated to 10 AMP



## 3AG NYLON FUSE HOLDER–Battery Link

- Body Material: Nylon PA-66.
- Applicable Fuse: AGC & JSO.
- Wires: 12#, 14#, 16#, 18#.
- Length: 8” Loop.
- Rated Current: 30AMP MAX.
- Bayonet Type.

Part Number	Description
729001	12 GA Pated to 30 AMP
729002	14 GA Pated to 20 AMP
729003	16 GA Pated to 15 AMP
729004	18 GA Pated to 10 AMP



# IN LINE FUSE HOLDER FOR GLASS TUBE FUSES

RoHS

- Contact: Bronze, Tin / Nickel Plated
- With Other Wire Size Or Lengths Available On Special Order.
- To Install Fuses With " Loop" Type Wires, Simply Cut Loop Into Two Separate Wires Of Desired Length.

## 3AG FUSE HOLDER–Battery Link

- Body Material: Nylon PA-66 UL94 V0.
- Applicable Fuse: AGC & JSO.
- Wires: 18#, 20#.
- Length: 8" Loop.
- Rated Current: 20AMP MAX.
- Interlock Type.

Part Number	Description
200-V 601	18 GA Pated to 10 AMP
200-V 602	20 GA Pated to 5 AMP



## GMA FUSE HOLDER–Battery Link

- Body Material: Nylon PA-66 UL94 V0.
- Applicable Fuse:  $\phi 5.2 \times 20$  mm.
- Wires: 18#, 20#.
- Length: 8" Loop.
- Rated Current: 20AMP MAX.
- Interlock Type.

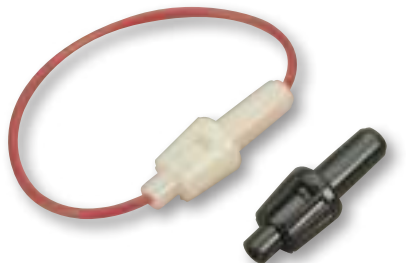
Part Number	Description
204-V 601	18 GA Pated to 10 AMP
204-V 602	20 GA Pated to 5 AMP



## GMA FUSE HOLDER–Battery Link

- Body Material: Nylon PA-66.
- Applicable Fuse:  $\phi 5.2 \times 20$  mm.
- Wires: 18#, 20#.
- Length: 8" Loop.
- Rated Current: 20AMP MAX.
- Bayonet Type.

Part Number	Description
204-201	18 GA Pated to 10 AMP
204-202	20 GA Pated to 5 AMP



## GMA FUSE HOLDER–Battery Link

- Body Material: Nylon PA-66.
- Applicable Fuse:  $\phi 5.2 \times 20$  mm.
- Wires: 18#, 20#.
- Length: 8" Loop.
- Rated Current: 20AMP MAX.
- Bayonet Type.

Part Number	Description
204-B 601	18 GA Pated to 10 AMP
204-B 602	20 GA Pated to 5 AMP



## GMA FUSE HOLDER–Battery Link

- Body Material: P.C.
- Applicable Fuse:  $\phi 5.2 \times 20$  mm.
- Wires: 18#, 20#.
- Length: 8" Loop.
- Rated Current: 20AMP MAX.
- Interlock Type.

Part Number	Description
204-301	18 GA Pated to 10 AMP
204-302	20 GA Pated to 5 AMP



# IN LINE FUSE HOLDER FOR GLASS TUBE FUSES

RoHS

- Contact: Bronze, Tin / Nickel Plated
- With Other Wire Size Or Lengths Available On Special Order.
- To Install Fuses With “ Loop” Type Wires, Simply Cut Loop Into Two Separate Wires Of Desired Length.

## GMA FUSE HOLDER–Battery Link

- Body Material: Nylon PA-66.
- Applicable Fuse:  $\varnothing 5 \times 20$ mm.
- Wires: 14#, 16#, 18#.
- Length: 12” Loop.
- Rated Current: 30AMP MAX.
- Interlock Type.

Part Number	Description
204-V 402	14 GA Pated to 20 AMP
204-V 403	16 GA Pated to 10 AMP
204-V 404	18 GA Pated to 5 AMP



## 5AG FUSE HOLDER–Battery Link

- Body Material: Bakelite.
- Applicable Fuse:  $\varnothing 10.3 \times 38$  mm.
- Wires: 8#, 10#.
- Length: 12” Loop.
- Rated Current: 60Amp MAX.
- Screw Type.

Part Number	Description
207-101	8 GA Pated to 60 AMP
207-102	10 GA Pated to 40 AMP



## 3AG FUSE HOLDER–Water Proof Type

- Body Material: PVC.
- Wire Range: 12 - 18 AWG.
- Applicable Fuse:  $\varnothing 6.35 \times 32$ mm.
- Rated Current: 30AMP MAX.
- Crimp Terminal. ▪ Snap-Lock Type.
- Supply Without Wire.

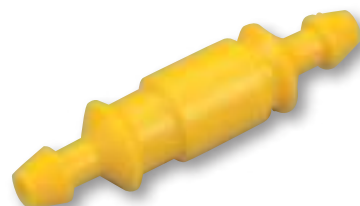
Part Number	Description
CY-306 A	Suitable For 12 AWG Wire
CY-306 B	Suitable For 14 AWG Wire
CY-306 C	Suitable For 16 AWG Wire
CY-306 D	Suitable For 18 AWG Wire



## 3AG FUSE HOLDER

- Body Material: Nylon.
- Wire Range: 14 - 18 AWG.
- Applicable Fuse:  $\varnothing 6.35 \times 32$ mm.
- Rated Current: 20AMP MAX.
- Crimp Terminal ▪ Snap-Lock Type
- Supply Without Wire

Part Number	Description
CY-307	20 AMP MAX





# IN LINE FUSE HOLDER FOR BLADE TERMINAL FUSES

RoHS

- Contact: Bronze, Tin / Nickel Plated
- With Other Wire Size Or Lengths Available On Special Order.
- To Install Fuses With " Loop" Type Wires, Simply Cut Loop Into Two Separate Wires Of Desired Length.

## ATY-N FUSE HOLDER–Battery Link

- Body Material: Nylon PA-66.
- Applicable Fuse: ATY-N ( ATC, ATO ).
- Wires: 10#, 12#, 14#, 16#, 18#.
- Length: 8" Loop.
- Rated Current: 40AMP MAX.

Part Number	Description
202-200	10 GA Pated to 40 AMP
202-201	12 GA Pated to 30 AMP
202-202	14 GA Pated to 20 AMP
202-203	16 GA Pated to 15 AMP
202-204	18 GA Pated to 10 AMP



## ATY N FUSE HOLDER–Battery Link

- Body Material: Nylon PA-6.
- Applicable Fuse: ATY-N ( ATC, ATO ).
- Wires: 10#, 12#, 14#, 16#, 18#.
- Length: 12".
- Rated Current: 30AMP MAX.

Part Number	Description
202-190	10 GA Pated to 40 AMP
202-191	12 GA Pated to 30 AMP
202-192	14 GA Pated to 20 AMP
202-193	16 GA Pated to 15 AMP
202-194	18 GA Pated to 10 AMP



## ATY-N FUSE HOLDER–Battery Link

- Body Material: Nylon PA-6.
- Applicable Fuse: ATY-N ( ATC, ATO ).
- Wires: 12#, 14#, 16#, 18#.
- Length: 12" Loop.
- Rated Current: 30AMP MAX.

Part Number	Description
202-191 AV	12 GA Pated to 30 AMP
202-192 AV	14 GA Pated to 20 AMP
202-193 AV	16 GA Pated to 15 AMP
202-194 AV	18 GA Pated to 10 AMP



## ATY-N FUSE HOLDER–Battery Link

- Water Proof Type.
- Body Material: P.C.
- Applicable Fuse: ATY-N ( ATC, ATO ).
- Wires: 10#, 12#, 14#, 16#, 18#.
- Length: 12".
- Rated Current: 40AMP MAX.

Part Number	Description
202-311	10 GA Pated to 40 AMP
202-312	12 GA Pated to 30 AMP
202-313	14 GA Pated to 20 AMP
202-314	16 GA Pated to 15 AMP
202-315	18 GA Pated to 10 AMP



## ATY-N FUSE HOLDER–Battery Link

- Water Resistant Type.
- Body Material: PVC.
- Applicable Fuse: ATY-N ( ATC, ATO ).
- Wires: 10#, 12#, 14#, 16#, 18#, 20#.
- Length: 12".
- Rated Current: 30AMP MAX.

Part Number	Description
202-100	10 GA Pated to 40 AMP
202-101	12 GA Pated to 30 AMP
202-102	14 GA Pated to 20 AMP
202-103	16 GA Pated to 15 AMP
202-104	18 GA Pated to 10 AMP
202-105	20 GA Pated to 5 AMP



# IN LINE FUSE HOLDER FOR BLADE TERMINAL FUSES

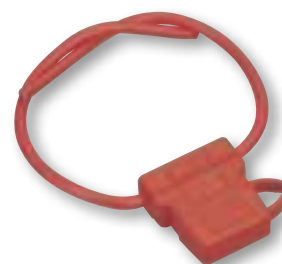
RoHS

- Contact: Bronze, Tin / Nickel Plated
- With Other Wire Size Or Lengths Available On Special Order.
- To Install Fuses With “ Loop” Type Wires, Simply Cut Loop Into Two Separate Wires Of Desired Length.

## ATY-N FUSE HOLDER–Battery Link

- Water Resistant Type.
- Body Material: PVC.
- Applicable Fuse: ATY-N ( ATC, ATO ).
- Wires: 12#, 14#, 16#, 18#.
- Length: 12”.
- Rated Current: 30AMP MAX.

Part Number	Description
202-401	12 GA Pated to 30 AMP
202-402	14 GA Pated to 20 AMP
202-403	16 GA Pated to 15 AMP
202-404	18 GA Pated to 10 AMP



## ATY-N FUSE HOLDER–Battery Link

- Body Material: PVC.
- Applicable Fuse: ATY-N ( ATC, ATO ).
- Wires: 12#, 14#, 16#, 18#, 20#.
- Length: 12”.
- Rated Current: 30AMP MAX.

Part Number	Description
202-A 501	12 GA Pated to 30 AMP
202-A 502	14 GA Pated to 20 AMP
202-A 503	16 GA Pated to 15 AMP
202-A 504	18 GA Pated to 10 AMP
202-A 505	20 GA Pated to 5 AMP



## ATY-N FUSE HOLDER–Battery Link

- Water Resistant Type.
- Body Material: TPE / PVC.
- Applicable Fuse: ATY-N ( ATC, ATO ).
- Wires: 12#, 14#, 16# , 18#, 20#.
- Length: 12”.
- Rated Current: 30AMP MAX.

Part Number	Description
202-V 401	12 GA Pated to 30 AMP
202-V 402	14 GA Pated to 20 AMP
202-V 403	16 GA Pated to 15 AMP
202-V 404	18 GA Pated to 10 AMP
202-V 405	20 GA Pated to 5 AMP



## MINI FUSE HOLDER–New Type

- Water Resistant Type.
- Body Material: Nylon PA66
- Applicable Fuse: LPMiN.
- Wires: 12#, 14#, 16#, 18#, 20#.
- Length: 12”.
- Rated Current: 30AMP MAX.

Part Number	Description
201-LPC01	12 GA Pated to 30 AMP
201-LPC02	14 GA Pated to 20 AMP
201-LPC03	16 GA Pated to 15 AMP
201-LPC04	18 GA Pated to 10 AMP
201-LPC05	20 GA Pated to 5 AMP



# IN LINE FUSE HOLDER FOR BLADE TERMINAL FUSES

RoHS

- Contact: Bronze, Tin / Nickel Plated
- With Other Wire Size Or Lengths Available On Special Order.
- To Install Fuses With " Loop" Type Wires, Simply Cut Loop Into Two Separate Wires Of Desired Length.

## ATY-N FUSE HOLDER–Battery Link

- Water Resistant Type.
- Body Material: TPE / PVC.
- Applicable Fuse: ATY-N ( ATC, ATO ).
- Wires: 10#, 12#, 14#, 16#, 18#.
- Length: 12".
- Rated Current: 30AMP MAX.

Part Number	Description
202-700	10 GA Pated to 40 AMP
202-701	12 GA Pated to 30 AMP
202-702	14 GA Pated to 20 AMP
202-703	16 GA Pated to 15 AMP
202-704	18 GA Pated to 10 AMP



## ATY-N FUSE HOLDER–Battery Link

- Body Material: PVC.
- Applicable Fuse: ATY-N ( ATC, ATO ).
- Wires: 12#, 14#, 16#, 18#.
- Length: 12".
- Rated Current: 30AMP MAX.

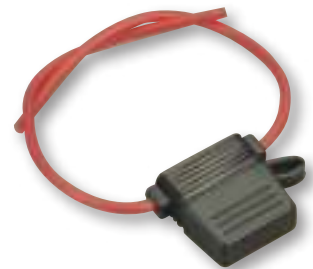
Part Number	Description
202-801	12 GA Pated to 30 AMP
202-802	14 GA Pated to 20 AMP
202-803	16 GA Pated to 15 AMP
202-804	18 GA Pated to 10 AMP



## ATY-N FUSE HOLDER–Battery Link

- Water Resistant Type.
- Body Material: TPE / PVC.
- Applicable Fuse: ATY-N ( ATC, ATO ).
- Wires: 12#, 14#, 16#, 18#, 20#.
- Length: 12".
- Rated Current: 30AMP MAX.

Part Number	Description
202-901	12 GA Pated to 30 AMP
202-902	14 GA Pated to 20 AMP
202-903	16 GA Pated to 15 AMP
202-904	18 GA Pated to 10 AMP



## MINI FUSE HOLDER–Battery Link

- Water Resistant Type.
- Body Material: TPE / PVC.
- Applicable Fuse: MIN-N ( ATM, MIN ).
- Wires: 12#, 14#, 16# , 18#, 20#.
- Length: 12".
- Rated Current: 30AMP MAX.

Part Number	Description
201-L 101	12 GA Pated to 30 AMP
201-L 102	14 GA Pated to 20 AMP
201-L 103	16 GA Pated to 15 AMP
201-L 104	18 GA Pated to 10 AMP
201-L 105	20 GA Pated to 5 AMP



# IN LINE FUSE HOLDER FOR BLADE TERMINAL FUSES

RoHS

- Contact: Bronze, Tin / Nickel Plated
- With Other Wire Size Or Lengths Available On Special Order.
- To Install Fuses With “ Loop” Type Wires, Simply Cut Loop Into Two Separate Wires Of Desired Length.

## MIN-N FUSE HOLDER–LED Type

- Water Resistant Type.
- Body Material: TPE.
- Applicable Fuse: MIN-N ( ATM ).
- Wires: 12#, 14#, 16#, 18#, 20#.
- Length: 12”.
- Rated Current: 30AMP MAX.

Part Number	Description
201-LED-R01	12 GA rated to 30 AMP Max.
201-LED-R02	14 GA rated to 20 AMP Max.
201-LED-R03	16 GA rated to 15 AMP Max.
201-LED-R04	18 GA rated to 10 AMP Max.
201-LED-R05	20 GA rated to 5 AMP Max.



## ATY-N FUSE HOLDER–LED Type

- Water Resistant Type.
- Body Material: TPE.
- Applicable Fuse: ATY-N ( ATC, ATO ).
- Wires: 10#, 12#, 14#, 16#, 18#, 20#.
- Length: 12”.
- Rated Current: 30AMP MAX.

Part Number	Description
202-LED-R01	10 GA rated to 35 AMP Max.
202-LED-R02	12 GA rated to 30 AMP Max.
202-LED-R03	14 GA rated to 20 AMP Max.
202-LED-R04	16 GA rated to 15 AMP Max.
202-LED-R05	18 GA rated to 10 AMP Max.
202-LED-R06	20 GA rated to 5 AMP Max.



## MAX-N FUSE HOLDER–LED Type

- Body Material: PC.
- Applicable Fuse: MAXI.
- Wires: 6#, 8#, 10#.
- Length: 12”.
- Rated Current: 60AMP MAX.

Part Number	Description
203-LED-PC-R01	6AWG rated to 60A max.
203-LED-PC-R02	8AWG rated to 50A max.
203-LED-PC-R03	10AWG rated to 40A max.



## MAX-N FUSE HOLDER–Battery Link

- Body Material: PC.
- Applicable Fuse: MAX-N.
- Wires: 6#, 8#, 10#.
- Length: 12”.
- Rated Current: 60AMP MAX.

Part Number	Description
203-X-PC-R01	6AWG rated to 60A max.
203-X-PC-R02	8AWG rated to 50A max.
203-X-PC-R03	10AWG rated to 40A max.





# IN LINE FUSE HOLDER FOR BLADE TERMINAL FUSES

RoHS

- Contact: Bronze, Tin / Nickel Plated
- With Other Wire Size Or Lengths Available On Special Order.
- To Install Fuses With “ Loop” Type Wires, Simply Cut Loop Into Two Separate Wires Of Desired Length.

## MINI FUSE HOLDER–Battery Link

- Body Material: Nylon PA-66.
- Applicable Fuse: MIN-N ( ATM,MIN ).
- Wires: 12#, 14#, 16# , 18#, 20#.
- Length: 12”.
- Rated Current: 30AMP MAX.

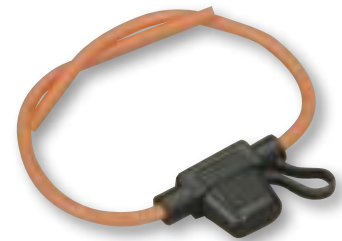
Part Number	Description
201-201	12 GA Pated to 30 AMP
201-202	14 GA Pated to 20 AMP
201-203	16 GA Pated to 15 AMP
201-204	18 GA Pated to 10 AMP
201-205	20 GA Pated to 5 AMP



## MINI FUSE HOLDER–Battery Link

- Water Resistant Type.
- Body Material: TPE / PVC.
- Applicable Fuse: MIN-N ( ATM,MIN ).
- Wires: 12#, 14#, 16#, 18#, 20#.
- Length: 12”.
- Rated Current: 30AMP MAX.

Part Number	Description
201-101	12 GA Pated to 30 AMP
201-102	14 GA Pated to 20 AMP
201-103	16 GA Pated to 15 AMP
201-104	18 GA Pated to 10 AMP
201-105	20 GA Pated to 5 AMP



## MINI FUSE HOLDER–Battery Link (New Type)

- Water Proof Type.
- Body Material: Thermoplastic.
- Applicable Fuse: MIN-N ( ATM,MIN ).
- Wires: 12#. 14#. 16#. 18#.
- Length: 12”.
- Rated Current: 30AMP MAX.

Part Number	Description
201-312	12 GA Pated to 30 AMP
201-313	14 GA Pated to 20 AMP
201-314	16 GA Pated to 15 AMP
201-315	18 GA Pated to 10 AMP



## MAXI FUSE HOLDER–Battery Link

- Water Resistant Type.
- Body Material: TPE / PVC.
- Applicable Fuse: MAX-N ( MAX,MAXI ).
- Wires: 6#, 8#, 10#.
- Length: 12”.
- Rated Current: 60AMP MAX.

Part Number	Description
203-100A	6 GA Pated to 80 AMP
203-100	8 GA Pated to 60 AMP
203-101	10 GA Pated to 40 AMP



## MAXI FUSE HOLDER–Battery Link

- Body Material: Thermoplastic.
- Applicable Fuse: MAX-N ( MAX,MAXI ).
- Wires: 6#, 8#, 10#.
- Length: 12”.
- Rated Current: 80AMP MAX.

Part Number	Description
203-156 B	6 GA Pated to 80 AMP
203-157 B	8 GA Pated to 60 AMP
203-158 B	10 GA Pated to 40 AMP



# IN LINE FUSE HOLDER FOR BLADE TERMINAL FUSES

RoHS

- Contact: Bronze, Tin / Nickel Plated
- With Other Wire Size Or Lengths Available On Special Order.
- To Install Fuses With “ Loop” Type Wires, Simply Cut Loop Into Two Separate Wires Of Desired Length.

## MINI FUSE HOLDER–Add-A-Circuit PART NO: M-16R

- Max. Installation rating up to 20Amp.
- Applicable Fuse: MIN-N ( ATM,MIN ).
- Butt Splice connectors pull-out force min.15kg.
- Cable Wire: UL1015 16AWG Red. Length: 127mm(5")
- This In-Line Fuse Holder designed for turn one slot into two.



## BLADE FUSE HOLDER–Add-A-Circuit PART NO: A-16R

- Max. Installation rating up to 20Amp.
- Applicable Fuse: ATY-N ( ATO,ATC ).
- Butt Splice connectors pull-out force min.15kg.
- Cable Wire: UL1015 16AWG Red. Length: 127mm(5")
- This In-Line Fuse Holder designed for turn one slot into two.



## MINI FUSE HOLDER–Add-A-Circuit PART NO: NM-16R

- Max. Installation rating up to 20Amp.
- Applicable Fuse: LPMIN
- Butt Splice connectors pull-out force min.15kg.
- Cable Wire: UL1015 16AWG Red. Length: 127mm(5")
- This In-Line Fuse Holder designed for turn one slot into two.



## MICRO-TWO FUSE HOLDER-Add-A-Circuit PART NO: 2M-16R

- Max. Installation rating up to 20Amp.
- Applicable Fuse: MIC (Micro 2 Fuse).
- Butt Splice connectors pull-out force min.15kg.
- Cable Wire: UL1015 16AWG Red. Length: 127mm(5")
- This In-Line Fuse Holder designed for turn one slot into two.



## MICRO-THREE FUSE HOLDER-Add-A-Circuit PART NO: 3MFH-A, 3MFH-B

- Max. Installation rating up to 20Amp.
- Applicable Fuse: 3MIC (Micro 3 Fuse).
- Butt Splice connectors



Part No. 3MFH-A

Part No. 3MFH-B

# UNIVERSAL FUSE HOLDER

## ATY-N BLADE FUSE HOLDER

RoHS

### 202-299

#### Specifications :

- Water Resistant Type.
- Dielectric Strength For 60 Seconds: AC 1500V Min.
- Suitable Rated Current: 30A 32V DC.
- Insulation Resistance At 500V DC: 100MΩ Min.
- Body Material: PVC.
- Terminal: Brass, Finish: Golden plated.
- Applicable Fuse: ATY-N ( ATC, ATO ).

**Set Screws Design-No Contact And Crimping Required**

**Supply Without Wire**



### 202-301

#### Specifications :

- Dielectric Strength For 60 Seconds: AC 1500V Min.
- Suitable Rated Current: 30A 32V DC.
- Insulation Resistance At 500V DC: 100MΩ Min.
- Body Material: Nylon.
- Terminal: Brass, Finish: Tin-plated.
- Applicable Fuse: ATY-N ( ATC, ATO ).

**Interlock For Multiple Mounting.**



### 202-302

#### Specifications :

- Dielectric Strength For 60 Seconds: AC 1500V Min.
- Suitable Rated Current: 20A 32V DC
- Insertion & Extraction Force: 1 Kg Min.
- Contact Resistance at 1A DC: 5mΩ Max.
- Insulation Resistance At 500V DC: 100MΩ Min.
- Voltage Drop: 20m V Max.
- Temperature Rise: 50°C Max.
- Body Material: PP.
- Applicable Fuse: ATY-N ( ATC, ATO ).
- Terminal: Brass Nickel Plated, Finish: Tin-plated
- Suitable Wire Gauge: 14 - 18 GA ( 0.8-2.0 mm<sup>2</sup> ).



## MAX-N FUSE HOLDER

### 203-04K

#### Specifications :

- Dielectric Strength For 60 Seconds: AC 1500V Min.
- Suitable Rated Current: 80A 32V DC.
- Insulation Resistance At 500V DC: 100MΩ Min.
- Body Material: PC.
- Terminal: Brass, Finish: Tin plated.
- Applicable Fuse: MAX-N ( MAXI ).

**Set Screws Design-No Contact And Crimping Required**

**Supply Without Wire**





# AUTOMOTIVE FUSE HOLDER PACKING TYPE

RoHS

## 200-200

Single of Bakelite Fuse Holder & 20A Fuse Blister Card  
50 Cards / inner box,  
500cards / ctn / 3.6'  
N.W.: 15KGS G.W.:17KGS



## 204-400

Single of GBC-Nylon Holder & 8A Fuse Blister Card.  
50 Cards/inner box.  
500Cards / ctn / 3.6'  
N.W.: 15KGS G.W.: 17KGS



Part Number	Description
200-201	10 pcs / card
200-201-1	12 pcs / card

Packing:  
100Cards/ctn/3.2'  
N.W.: 22KGS G.W.: 24KGS  
Wire Gauge: 14#  
Wire Length: 12"



## 202-300

Single of Bakelite Fuse Holder & 20A Fuse Blister Card  
50Cards/inner box,  
500Cards / ctn / 3.6'  
N.W.: 15KGS G.W.17KGS



## 200-700

Double of P.P Fuse Holder & 20A Fuse Blister Card.  
50 Cards/inner box,  
500 Cards/ctn/3.6'  
N.W.: 15KGS G.W.: 17KGS



## 202-301BC

Single of Terminal Type Blade Fuse Holder & 30A Fuse Blister Card.  
50 Cards/inner box.  
500Cards / ctn / 3.6'  
N.W.: 15KGS G.W.: 17KGS



Part Number	Description
200-701-1	10 pcs / card
200-701	12 pcs / card
200-702	16 pcs / card

Packing: 100Cards / ctn / 3.2'  
N.W.: 22KGS G.W.: 24KGS  
Wire Gauge: 20#  
Wire Length: 12"



## 202-189

Single of LAI-DA Fuse Holder & 15A Fuse Blister Card.  
50 Cards / inner box,  
500 Cards / ctn / 3.6'  
N.W.: 15KGS G.W.: 17KGS





# ATY-N PANEL FUSE BLOCK

## CIRCUIT BREAKER AND BLADE FUSE PANEL

RoHS

- For ATY-N ( ATC, ATO ) fuses or plug in circuit breaker.
- 6.3mm Quick connect terminal.
- #10-32 stud terminal with hex, nut, flat washer and lockwasher supplied.
- Four 5.5mm diameter mounting holes for #10 screws.
- Rugged, lightweight construction.

**202-06**  
6 Way Fuse Holder Terminal



**202-10**  
10 Way Fuse Holder Terminal



**202-08**  
8 Way Fuse Holder Terminal



**202-12**  
12 Way Fuse Holder Terminal



**Specifications :**

- Maximum Amperage per circuit-30Amps.
- Maximum voltage 32VDC.
- Maximum Amperage per block 100 Amps.
- Base material polycarbonate.
- Terminal Material Copper ( Tin Plating ).

Part Number	
202-06	6 Way Fuseholder terminals
202-08	8 Way Fuseholder terminals
202-10	10 Way Fuseholder terminals
202-12	12 Way Fuseholder terminals

# ATY-N PANEL FUSE BLOCK WITH GROUNDING PAD

## CIRCUIT BREAKER AND BLADE FUSE PANEL WITH GROUNDING PAD

RoHS

- For ATY-N ( ATC, ATO ) fuses or plug in circuit breaker.
- 6.3mm Quick connect terminal.
- #10-32 stud terminal with hex, nut, flat washer and lockwasher supplied.
- Four 5.5mm diameter mounting holes for #10 screws.
- Rugged, lightweight construction.

### 202-06U

#### 6 Way Fuse Holder Terminal



### 202-10U

#### 10 Way Fuse Holder Terminal



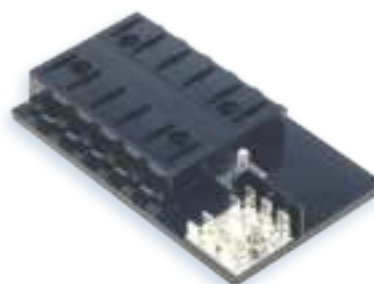
### 202-08U

#### 8 Way Fuse Holder Terminal



### 202-12U

#### 12 Way Fuse Holder Terminal



### Specifications :

- Maximum Amperage per circuit-30Amps.
- Maximum voltage 32VDC.
- Maximum Amperage per block 100Amps.
- Base material polycarbonate.
- Terminal Material Copper ( Tin Plating ).

Part Number	
202-06 U	6 Way Fuseholder terminals
202-08 U	8 Way Fuseholder terminals
202-10 U	10 Way Fuseholder terminals
202-12 U	12 Way Fuseholder terminals

# ATY-N PANEL FUSE BLOCK

## QUICK CONNECT TERMINAL BLADE FUSE PANEL

RoHS

- For ATY-N ( ATC, ATO ) fuses or plug in circuit breaker.
- 6.33mm Quick connect terminal.
- #10-32 stud terminal with hex, nut, flat washer and lockwasher supplied.
- Four 5.5mm diameter mounting holes for #10 screws.
- Transparent cover for dust & humid protection. (Can choose with or without the cover.)
- Rugged, lightweight construction.

### 202-06KQC



### 202-08KQC



### 202-10KQC



### 202-12KQC



#### Specifications :

- Maximum Amperage per circuit-30Amps.
- Maximum voltage 32VDC.
- Cover material - clear polycarbonate.
- Maximum Amperage per block 100Amps.
- Base material polycarbonate.
- Terminal Material Copper ( Tin Plating ).

Part Number	Part Number	
With Cover	Without Cover	
202-06 KQC	202-06 QC	6 Way Fuseholder terminals/with or without cover
202-08 KQC	202-08 QC	8 Way Fuseholder terminals/with or without cover
202-10 KQC	202-10 QC	10 Way Fuseholder terminals/with or without cover
202-12 KQC	202-12 QC	12 Way Fuseholder terminals/with or without cover

# ATY-N PANEL FUSE BLOCK

## SCREWS TERMINAL TYPE BLADE FUSE PANEL

RoHS

- For ATY-N ( ATC or ATO ) fuses.
- M4X7 mm screws terminal.
- #10-32 stud terminal with hex, nut, flat washer and lockwasher supplied.
- Four 5.5mm diameter mounting holes for #10 screws.
- Transparent cover for dust & humid protection. (Can choose with or without the cover.)
- Rugged, lightweight construction.

202-06KW



202-08KW



202-10KW



202-12KW



### Specifications :

- Maximum Amperage per circuit-30Amps.
- Maximum voltage 32VDC.
- Cover material - clear polycarbonate.
- Maximum Amperage per block 100Amps.
- Base material polycarbonate.
- Terminal Material Copper ( Tin Plating ).

Part Number	Part Number	
With Cover	Without Cover	
202-06 KW	202-06 W	6 Way Fuseholder terminals/with or without cover
202-08 KW	202-08 W	8 Way Fuseholder terminals/with or without cover
202-10 KW	202-10 W	10 Way Fuseholder terminals/with or without cover
202-12 KW	202-12 W	12 Way Fuseholder terminals/with or without cover



# QUICK TERMINAL TYPE BLADE FUSE BLOCK

## QUICK TERMINAL TYPE ATY-N BLADE FUSE BLOCK

RoHS

- For general automotive or marine use, these compact fuse blocks have a small footprint and do not take up much space.
- A water resistant cover with rubber seal is included.
- For ATY-N(ATC,ATO) Blade fuses
- 6.3mm Quick connect terminal
- Two 5.5mm diameter mounting holes for #10 screws.
- Transparent cover for dust & humid protection.
- Recommended for supplemental accessory power requirements.



**202-04T**  
4 Way Blade Fuse Block



**202-06T**  
6 Way Blade Fuse Block



**202-08T**  
8 Way Blade Fuse Block



**202-10T**  
10 Way Blade Fuse Block

### Specifications :

- Maximum Amperage per circuit-15Amps.
- Maximum voltage 12VDC.
- Cover material clear polycarbonate.
- Base material Thermoplastic.
- Terminal Material Copper ( Tin Plating ).

Part Number	Description	Maximum Load
202-04 T	4 Way ATY-N ( ATC or ATO ) Blade Fuse Block	30 Amps
202-06 T	6 Way ATY-N ( ATC or ATO ) Blade Fuse Block	45 Amps
202-08 T	8 Way ATY-N ( ATC or ATO ) Blade Fuse Block	60 Amps
202-10 T	10 Way ATY-N ( ATC or ATO ) Blade Fuse Block	90 Amps

# QUICK TERMINAL TYPE BLADE FUSE BLOCK

## QUICK TERMINAL TYPE MINI FUSE BLOCK

RoHS

- For general automotive or marine use, these compact fuse blocks have a small footprint and do not take up much space.
- A water resistant cover with rubber seal is included.
- For MIN-N(ATM,MINI) Blade fuses.
- 6.3mm Quick connect terminal
- Two 5.5mm diameter mounting holes for #10 screws.
- Transparent cover for dust & humid protection.
- Recommended for supplemental accessory power requirements.



**201-04MT**  
4 Way Mini Fuse Block



**201-06MT**  
6 Way Mini Fuse Block



**201-08MT**  
8 Way Mini Fuse Block



**201-10MT**  
10 Way Mini Fuse Block

### Specifications :

- Maximum Amperage per circuit-15Amps.
- Maximum voltage 12VDC.
- Cover material clear polycarbonate.
- Base material Thermoplastic.
- Terminal Material Copper ( Tin Plating ).

Part Number	Description	Maximum Load
201-04 MT	4 Way MIN-N ( ATM,MINI ) Blade Fuse Block	30 Amps
201-06 MT	6 Way MIN-N ( ATM,MINI ) Blade Fuse Block	45 Amps
201-08 MT	8 Way MIN-N ( ATM,MINI ) Blade Fuse Block	60 Amps
201-10 MT	10 Way MIN-N ( ATM,MINI ) Blade Fuse Block	90 Amps

# AUTOMOTIVE FUSE BOX

## IN LINE FUSE BOX FOR BLADE AUTO FUSES

RoHS

### Specifications :

- For ATY-N ( ATC,ATO ) Blade fuses.
- Cover/Base material Thermoplastic.
- Terminal Material Brass ( Tin Plating ).
- GPT Wire,Length: 170mm.
- Maximum Amperage per circuit-15Amps.
- Maximum voltage 12VDC.



**CY-123 B**  
**4 Way Blade Fuse Box**

Wires: Two 12 AWG  
Power Cable Input  
and Four 14 AWG Output.



**CY-122**  
**6 Way Blade Fuse Box**

Wires: Two 12 AWG Power Cable Input  
and Six 14 AWG Output.



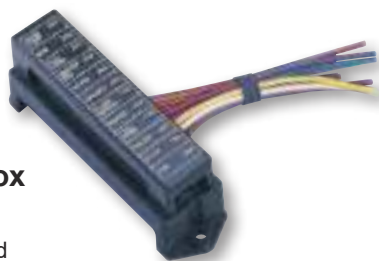
**CY-123**  
**8 Way Blade Fuse Box**

Wires: Two 12 AWG Power Cable Input  
and Eight 14 AWG Output.



**CY-123 A**  
**10 Way Blade Fuse Box**

Wires: Two 12 AWG  
Power Cable Input  
and Ten 14 AWG Output.



**CY-123 C**  
**12 Way Blade Fuse Box**

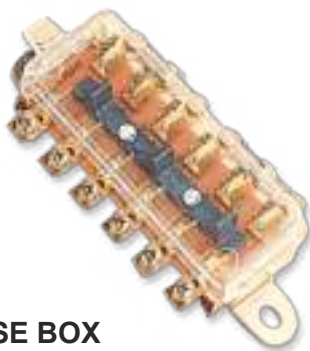
Wires: Two 12 AWG  
Power Cable Input and  
Twelve 14 AWG Output.

Part Number	Description	Maximum Load
CY-123 B	4 Way ATY-N ( ATC, ATO ) Blade Fuse Box	30 Amps
CY-122	6 Way ATY-N ( ATC, ATO ) Blade Fuse Box	45 Amps
CY-123	8 Way ATY-N ( ATC, ATO ) Blade Fuse Box	60 Amps
CY-123 A	10 Way ATY-N ( ATC, ATO ) Blade Fuse Box	90 Amps
CY-123 C	12 Way ATY-N ( ATC, ATO ) Blade Fuse Box	150 Amps

# AUTOMOTIVE FUSE BOX

## 3AG FUSE BOX-SCREW TYPE

---



**CY-101**  
**6 WAY TYPE 3AG FUSE BOX**  
**SCREW TYPE**

- APPLICABLE FUSE: AGC & JSO.
  - Maximum voltage 12VDC.
- 



**CY-121 A**  
**12 WAY TYPE 3AG FUSE BOX**  
**SCREW TYPE**

- APPLICABLE FUSE: AGC & JSO.
  - Maximum voltage 12VDC.
- 



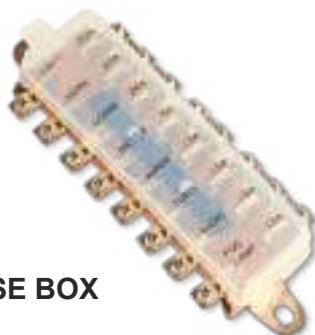
**CY-114**  
**10 WAY TYPE 3AG FUSE BOX**  
**SCREW TYPE**

- APPLICABLE FUSE: AGC & JSO.
  - Maximum voltage 12VDC.
- 



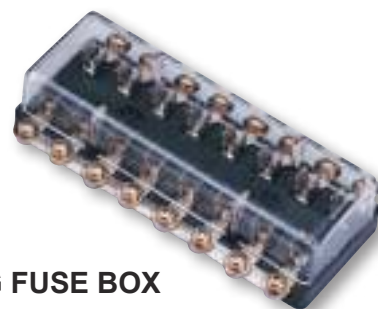
**CY-121 B**  
**6 WAY TYPE 3AG FUSE BOX**  
**SCREW TYPE**

- APPLICABLE FUSE: AGC & JSO.
  - Maximum voltage 12VDC.
- 



**CY-121**  
**8 WAY TYPE 3AG FUSE BOX**  
**SCREW TYPE**

- APPLICABLE FUSE: AGC & JSO.
  - Maximum voltage 12VDC.
- 



**CY-121 C**  
**8 WAY TYPE 3AG FUSE BOX**  
**SCREW TYPE**

- APPLICABLE FUSE: AGC & JSO.
  - Maximum voltage 12VDC.
-



# AUTOMOTIVE FUSE BOX

## JAPANESE CAR FUSE BOX

### CY-101 3AG FUSE BOX

TOYOTA FB1.  
Applicable Fuse: AGC & JSO.



### CY-103 3AG FUSE BOX

82600-60901  
TOYOTA FJ40/50  
Applicable Fuse: AGC & JSO.



### CY-104 3AG FUSE BOX

82600-20903  
TOYOTA Hilux RN20 / 25.  
Applicable Fuse: AGC & JSO.



### CY-106 ATY-N FUSE BOX

24310-01A00  
DATSUN B11  
Applicable Fuse: ATY-N ( ATC, ATO ).



### CY-109 3AG FUSE BOX

25410-B5000  
25410-B5101  
DATSUN 620  
Applicable Fuse: AGC & JSO.



### CY-111 ATY-N FUSE BOX

24310-02W02  
24310-02W00  
DATSUN 720  
Applicable Fuse: ATY-N ( ATC, ATO ).



### CY-115 3AG FUSE BOX

82600-87305-000  
DAIHATSU DV26 SV18L  
Applicable Fuse: AGC & JSO.



### CY-119 ATY-N FUSE BOX

8-94229485-1  
ISUZU KB26  
Applicable Fuse: ATY-N ( ATC, ATO ).



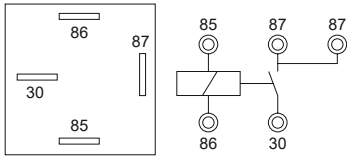
### CY-120 3AG FUSE BOX

5-82513-050-1  
ISUZU KB25  
Applicable Fuse: AGC & JSO.

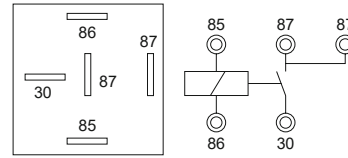


# RELAY & HOUSING CONNECTOR WIRE

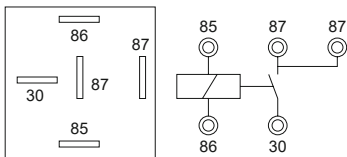
## POWER RELAY



**CY-810**  
12V 30A 4P 1A  
WITH BRACKET



**CY-811**  
12V 30A 5P 2A  
WITH BRACKET



**CY-811 A**  
12V 40A 5P 2A  
WITH BRACKET



## HOUSING CONNECTOR

**CY-R 10**  
SOCKET BODY  
WITHOUT TERMINAL  
MATERIAL: NYLON  
INTERLOCK FOR  
MULTIPLE MOUNTING



**CY-R 08**  
SOCKET BODY WITH TERMINAL  
MATERIAL : NYLON

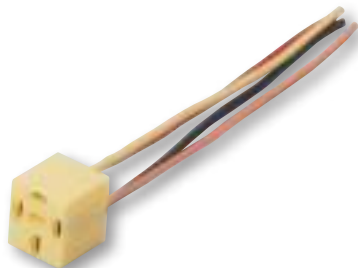


**CY-R 10T**  
SOCKET BODY  
WITH TERMINAL  
MATERIAL: NYLON  
INTERLOCK FOR MULTIPLE MOUNTING

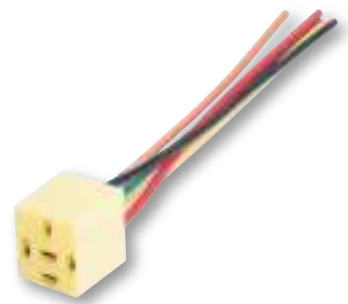


## HOUSING CONNECTOR WIRE

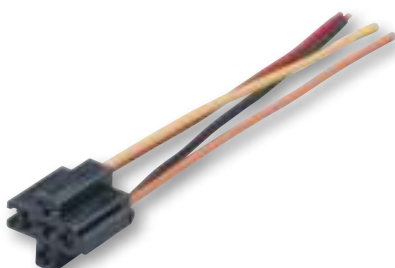
**CY-R 04**  
4PINS RELAY SOCKET.  
SINGLE TYPE.  
BODY MATERIAL : PP.



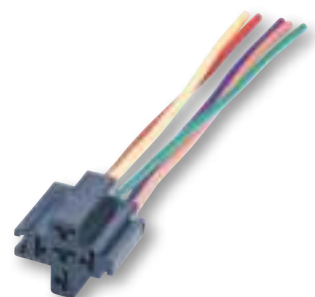
**CY-R 05**  
5PINS RELAY SOCKET.  
SINGLE TYPE.  
BODY MATERIAL : PP.



**CY-R 10A**  
4PINS RELAY SOCKET.  
WITH WIRES.  
SINGLE TYPE.



**CY-R 10B**  
5PINS RELAY SOCKET.  
WITH WIRES.  
SINGLE TYPE.



# BOLT-ON FUSE HOLDER

RoHS

## CY-172K

### STUD MOUNTS TYPE

- Voltage Rating: 58V DC Below.
- All Metal Material: Brass/Stainless Steel Nickel Plated.
- Body Material: UL-Rated 94V-0 Thermoset
- Use ANB/ANG Fuse Up to 500Amp



## CY-172KC

### STUD MOUNTS TYPE WITH PROTECTIVE CAP

- Voltage Rating: 58V DC Below.
- All Metal Material: Brass/Stainless Steel Nickel Plated.
- Body Material: UL-Rated 94V-0 Thermoset
- Use ANB/ANG Fuse Up to 500Amp



## CY-173, CY-173B

### STUD MOUNTS TYPE

- Voltage Rating: 58V DC or Less.
- All Metal are Brass Gold Plated.
- Body Material: Polycarbonate
- Use ANB Fuse Up to 200Amp



CY-173



CY-173B

## CY-173A, CY-173K

### STUD MOUNTS TYPE

- Voltage Rating: 58V DC or Less.
- All Metal are 18kt. Gold Finish.
- Body Material: Polycarbonate
- Use ANB Fuse Up to 150Amp



CY-173A



CY-173K

## CY-175N

### STUD MOUNTS TYPE

- Voltage Rating: 58V DC Below.
- Cover: PC Transparent Clear.
- All Metal Material: Stainless Steel Nickel Plated.
- Body Material: Flame Retarding Plastic.
- Use MEGA/HMDP Fuse Up to 150Amp

